



EMPOWERED BY PASSION ✨

PENDANT LIGHTING



PENDANT LIGHTING

ZEPLINN is manufacturing architectural pendant to be integrated within retail or hospitality. High CRI and designed by our team, the LED Pendant range by ZEPLINN comply the needs in term of : high efficiency, best CRI and elegant design. We developed and standardized the best in class pendant to reach lighting designer lighting design intent.



CYLINDER PENDANT
15W

P.2



CYLINDER PENDANT
20W

P.3



CYLINDER PENDANT
30W

P.4



LINEAR PENDANT
24W/ 40W/ 50W

P.5



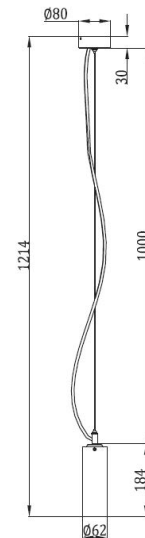
BIG C PENDANT
92W

P.6

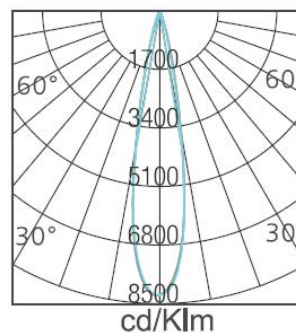
Pendant Light

CYLINDER PENDANT 15W

Light Source	LED COB
Optic	Lens
Wattage [W]	15W
Beam angle [°]	16°/24°/36°
CCT [K]	3000K/4000K
CRI [Ra]	90+
Luminous flux [lm]	1364lm
MacAdam Step	3
IP rate	20
Finish	Black/White
Material	Aluminium
Tilting angle	-
Pan movement	-
Dimensions	ø62 x H184
Weight	0.45kg
Installation	Suspending / Surface mounted
Driver	Integral, Constant Current
Driver Input	220V-240V 50-60Hz
Driver Output	350mA
Dimming type	ON/OFF / 1-10V



Remark



3000K 16°

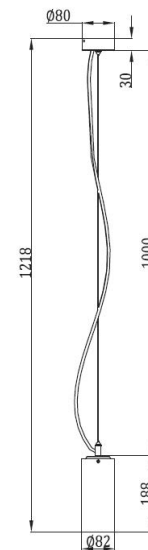
H(m)	E _{max}	D(m)
1m	9198lx	0.33m
2m	2300lx	0.66m
3m	1022lx	0.98m
4m	575lx	1.31m
5m	368lx	1.64m

3000K 16°

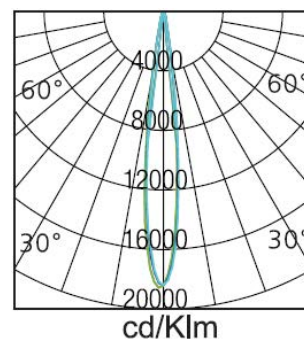
Pendant Light

CYLINDER PENDANT 20W

Light Source	LED COB
Optic	Lens
Wattage [W]	20W
Beam angle [°]	12°/24°/45°
CCT [K]	3000K/4000K
CRI [Ra]	90+
Luminous flux [lm]	1926m
MacAdam Step	3
IP rate	20
Finish	Black/White
Material	Aluminium
Tilting angle	-
Pan movement	-
Dimensions	ø82 x H188
Weight	0.85kg
Installation	Suspending / Surface mounted
Driver	Integral, Constant Current
Driver Input	220V-240V 50-60Hz
Driver Output	500mA
Dimming type	ON/OFF / 1-10V



Remark



3000K 16°

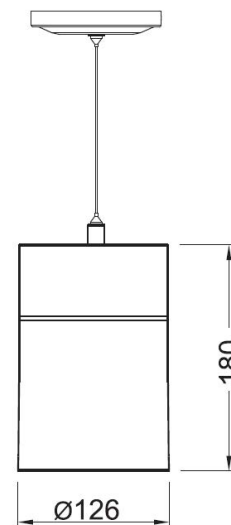
H(m)	Emax	D(m)
1m	21043lx	0.22m
2m	5261lx	0.45m
3m	2338lx	0.67m
4m	1315lx	0.90m
5m	842lx	1.12m

3000K 16°

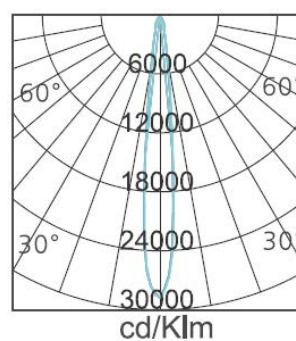
Pendant Light

CYLINDER PENDANT 30W

Light Source	LED COB
Optic	Lens
Wattage [W]	15W/ 20W/ 30W
Beam angle [°]	12°/20°/45°
CCT [K]	3000K/4000K/5000K
CRI [Ra]	90+
Luminous flux [lm]	2594lm
MacAdam Step	3
IP rate	20
Finish	Black/White
Material	Aluminium
Tilting angle	-
Pan movement	-
Dimensions	ø126 x H180
Weight	1.8kg
Installation	Suspending / Surface mounted
Driver	Integral, Constant Current
Driver Input	220V-240V 50-60Hz
Driver Output	700mA
Dimming type	ON/OFF / 1-10V



Remark



3000K 12°

H(m)	Emax	D(m)
1m	29906lx	0.20m
2m	7476lx	0.40m
3m	3223lx	0.60m
4m	1869lx	0.80m
5m	1196lx	1.0m

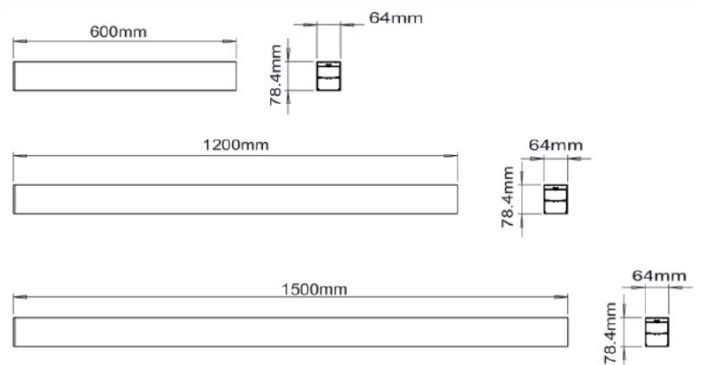
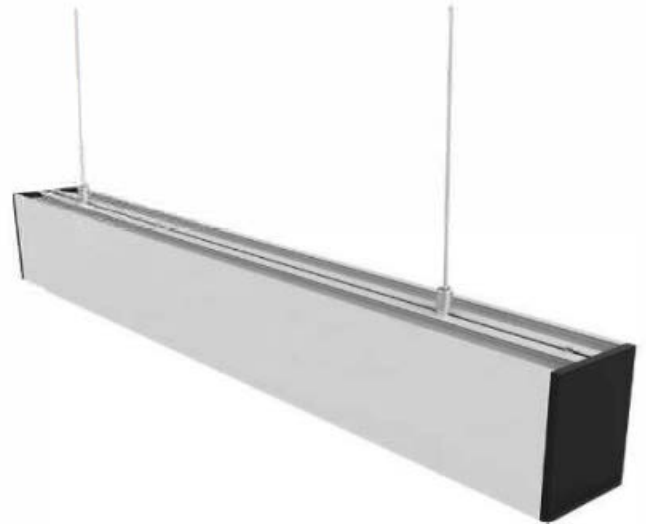
3000K 12°

Linear light (Suspended/Surface mounted)

LINEAR PENDANT

Light Source	SMD 2835
Optic	Diffuser
Wattage [W]	24W/ 40W/ 50W
Beam angle [°]	65°
CCT [K]	3000K
CRI [Ra]	90+
Luminous flux [lm]	3600lm
MacAdam Step	3
IP rate	20
Finish	Black/White
Material	Aluminium
Tilting angle	-
Pan movement	-
Dimensions	Lx W64 x H 78
Weight	-
Installation	Surface mounted
Driver	Included
Driver Input	220V-240V 50-60Hz
Driver Output	
Dimming type	ON/OFF - 0-10/DALI {optional}

Remark
L 600/ 1200/ 1500mm



Surface mounted



Suspended



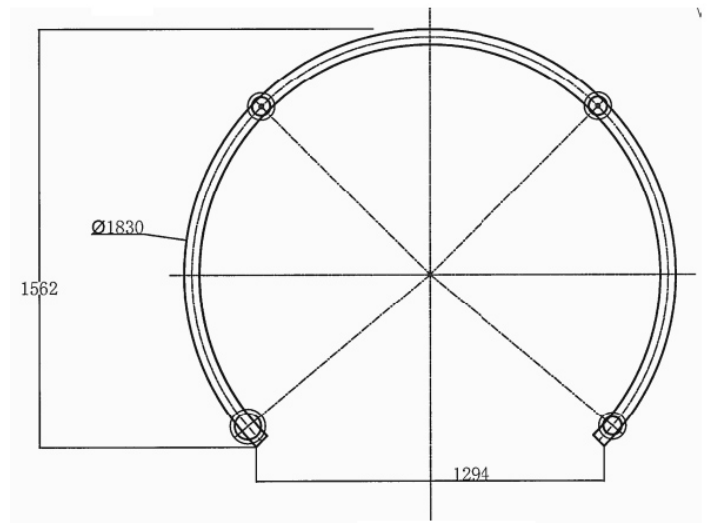
Suspension Kits

Pendant light (Suspended/Surface mounted)

BIG C PENDANT

Light Source	Samsung SMD
Optic	Diffuser
Wattage [W]	92W
Beam angle [°]	120°
CCT [K]	3000K
CRI [Ra]	90+
Luminous flux [lm]	
MacAdam Step	3
IP rate	20
Finish	Black/White
Material	Aluminium
Tilting angle	-
Pan movement	-
Dimensions	Φ1830
Weight	-
Installation	Suspended/Surface mounted
Driver	Included
Driver Input	220V-240V 50-60Hz
Driver Output	
Dimming type	ON/OFF - 0-10/DALI {optional}

Remark



ZEPLINN

Unit E, 10/F, Joint Venture Factory Bldg,
76 Hung To Road, Kwun Tong,
Kowloon, Hong Kong
(+852) 2525 7471
info@zeplinn.com

