



EMPOWERED BY PASSION ✨

DOWNLIGHTS



DOWNLIGHTS

WIDE RANGE INTEGRATING
High level of visual comfort (anti glare system)
Various fittings : fixed or adjustable, flat or deeply recessed, single, double or triple.
Latest lens technology
High CRI
Best Lighting for balance ambient environment, light intensive tasks.
Ideal choice for both accent and general lighting applications.



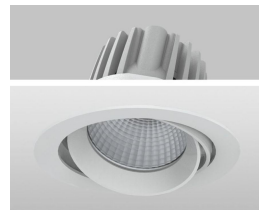
AXIS
12W/ 20W/ 25
P.2-4



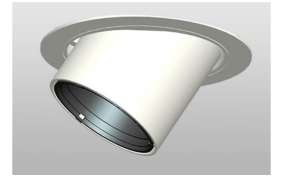
VIVID
20W/ 25W/ 30W/
35W/40W P.5-9



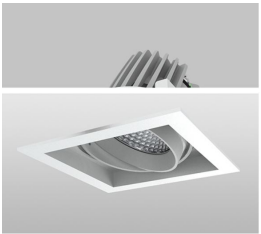
JUDO
15W/ 20W/ 28W/ 32W
P.10-13



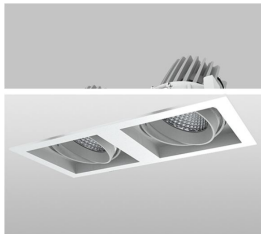
JADE
15W/ 20W/ 28W
P.14-16



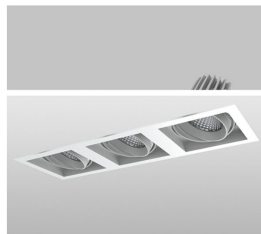
TAO
15W/ 20W/ 25W/ 35W
P.17-20



MERA SOLO
20W/ 28W
P.21-22



MERA DUO
2x20W/ 2x28W
P.23-24



MERA TRIO
3x20W/ 3x28W
P.25-26



HERA SOLO
20W/ 30W/ 40W
P.27-29



HERA DUO
2x20W/ 2x30W/ 2x40W
P.30-32



HERA TRIO
3x20W/ 3x30W/ 3x40W
P.33-35

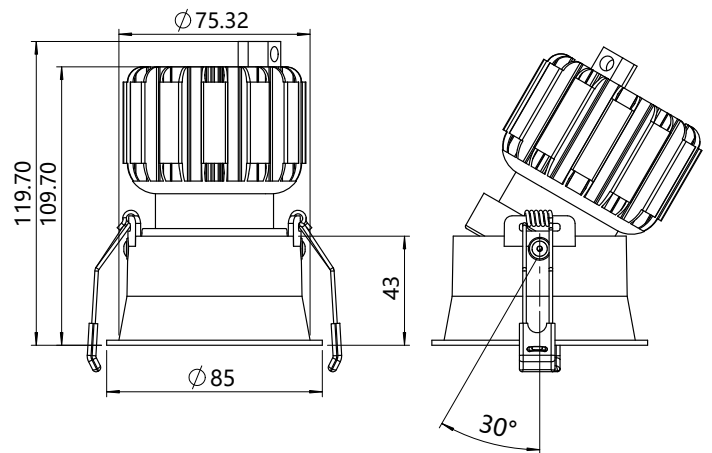
Adjustable Downlight

AXIS S

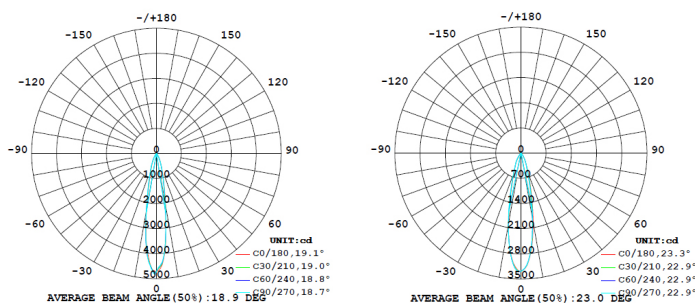
Light Source	COB LED
Optic	LENS
Wattage [W]	12W
Beam angle [°]	15°/24°/36°
CCT [K]	2700K/3000K/3500K/4000K
CRI [Ra]	90+
Luminous flux [lm]	1157 lm
MacAdam Step	3
IP rate	20
Finish	White/Black
Material	Aluminium
Tilting angle	0-30°
Pan movement	-
Dimensions	ø 85mm x H 107.5 mm
Weight	0.45kg
Installation	Recessed
Driver	Remoted
Driver Input	220V-240V 50-60Hz
Driver Output	300mA
Dimming type	ON/OFF / 1-10V



Ø78

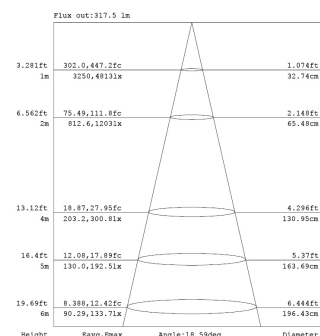


Remark

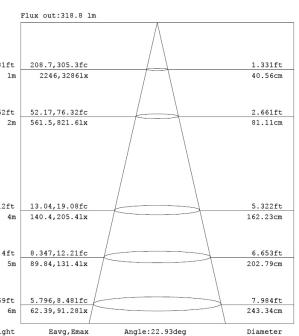


3000K 15°

3000K 24°



3000K 15°



3000K 24°

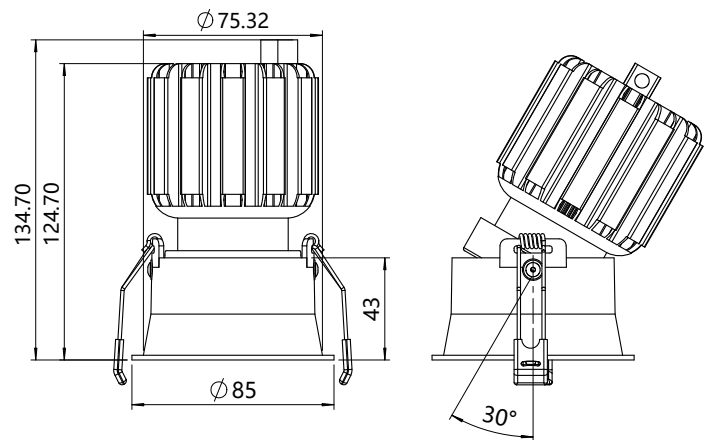
Adjustable Downlight

AXIS M

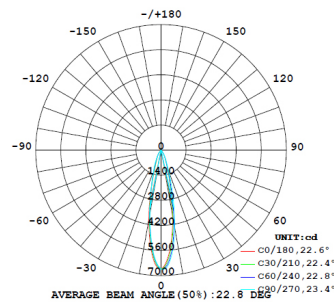
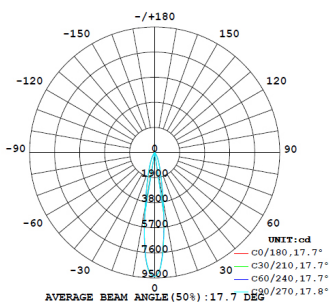
Light Source	COB LED
Optic	LENS
Wattage [W]	20W
Beam angle [°]	15°/24°/36°
CCT [K]	2700K/3000K/3500K/4000K
CRI [Ra]	90+
Luminous flux [lm]	1860lm
MacAdam Step	3
IP rate	20
Finish	White/Black
Material	Aluminium
Tilting angle	0-30°
Pan movement	-
Dimensions	ø 85mm x H 132.5 mm
Weight	0.65kg
Installation	Recessed
Driver	Remote
Driver Input	220V-240V 50-60Hz
Driver Output	500mA
Dimming type	ON/OFF / 1-10V



Ø78

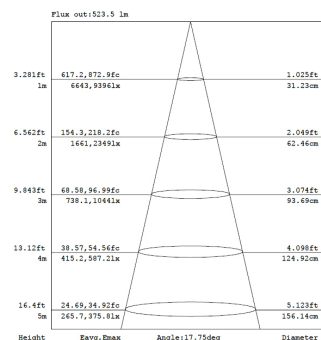


Remark

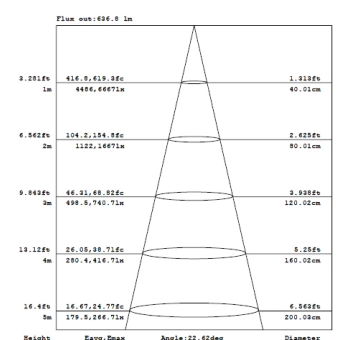


3000K 15°

3000K 24°



3000K 15°



3000K 24°

Adjustable Downlight

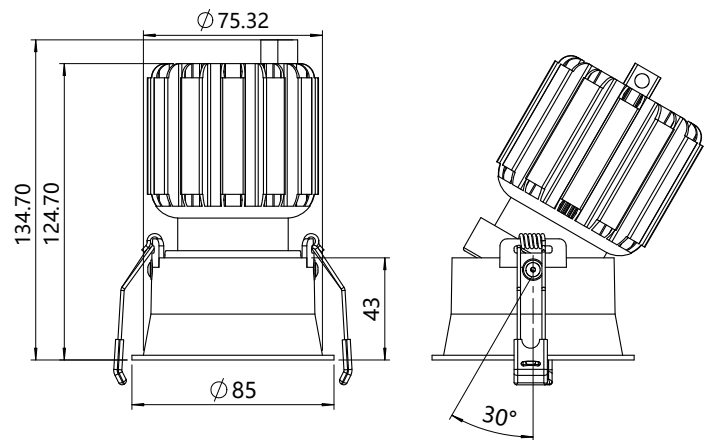
AXIS L

BEST IN CLASS

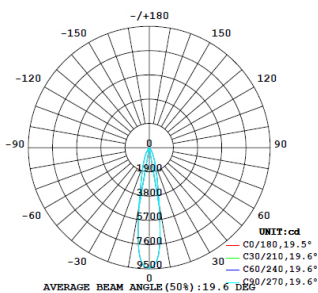
Light Source	COB LED
Optic	LENS
Wattage [W]	25W
Beam angle [°]	15°/24°/36°
CCT [K]	2700K/3000K/3500K/4000K
CRI [Ra]	90+
Luminous flux [lm]	2100lm
MacAdam Step	3
IP rate	20
Finish	White/Black
Material	Aluminium
Tilting angle	0-30°
Pan movement	-
Dimensions	ø 85mm x H 132.5 mm
Weight	0.75kg
Installation	Recessed
Driver	Remote
Driver Input	220V-240V 50-60Hz
Driver Output	700mA
Dimming type	ON/OFF / 1-10V



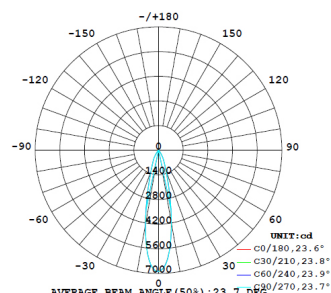
Ø78



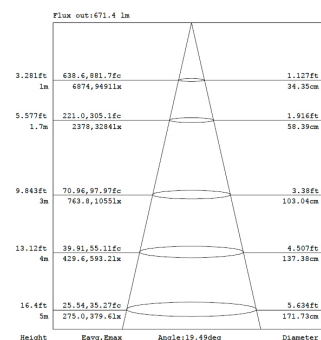
Remark



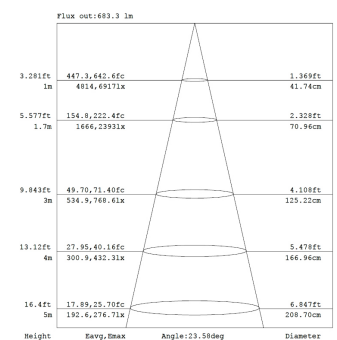
3000K 15°



3000K 24°



3000K 15°



3000K 24°

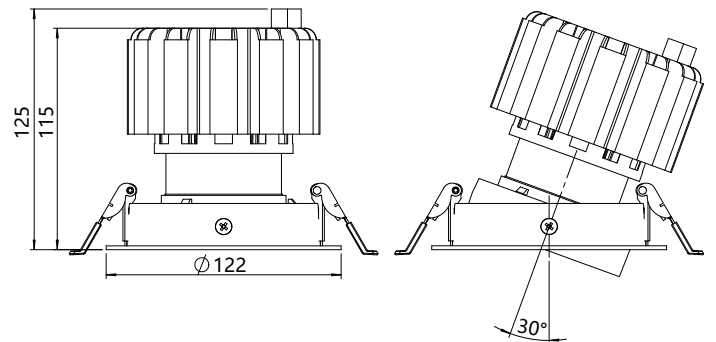
Adjustable Downlight

VIVID S

Light Source	COB LED
Optic	LENS
Wattage [W]	20W
Beam angle [°]	15°/24°/36°
CCT [K]	2700K/3000K/3500K/4000K
CRI [Ra]	90+
Luminous flux [lm]	1800lm
MacAdam Step	3
IP rate	20
Finish	White/Black
Material	Aluminium
Tilting angle	0- 30°
Pan movement	N/A
Dimensions	ø122mm H125mm
Weight	
Installation	Recessed
Driver	Remote
Driver Input	220V-240V 50-60Hz
Driver Output	500mA
Dimming type	ON/OFF / 1-10V



Ø105



Remark



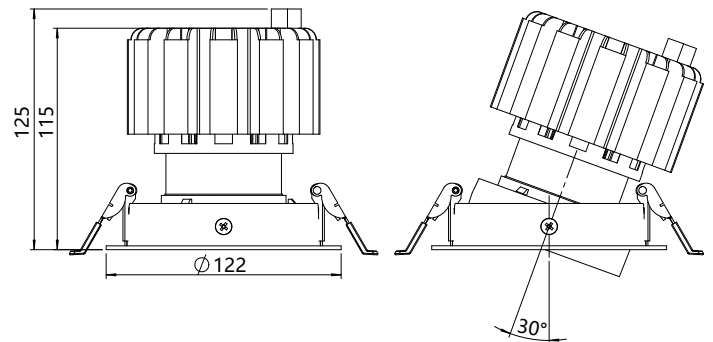
Adjustable Downlight

VIVID M

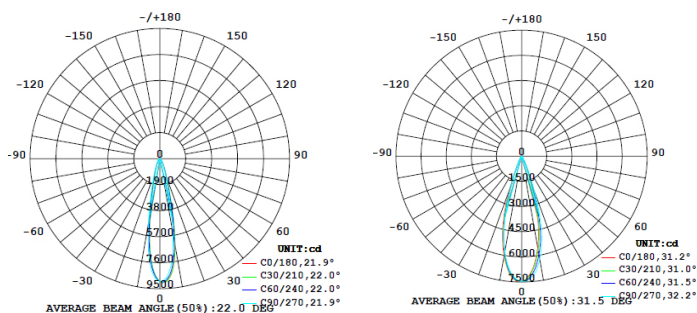
Light Source	COB LED
Optic	LENS
Wattage [W]	25W
Beam angle [°]	15°/24°/36°
CCT [K]	2700K/3000K/3500K/4000K
CRI [Ra]	90+
Luminous flux [lm]	2000lm
MacAdam Step	3
IP rate	20
Finish	White/Black
Material	Aluminium
Tilting angle	0- 30°
Pan movement	N/A
Dimensions	ø122mm x H125mm
Weight	0.75kg
Installation	Recessed
Driver	Remote
Driver Input	220V-240V 50-60Hz
Driver Output	600mA
Dimming type	ON/OFF / 1-10V



Ø105

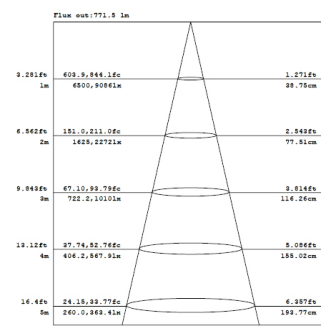


Remark

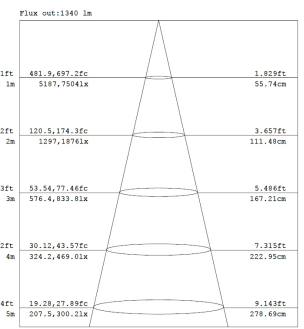


3000K 15°

3000K 24°



3000K 15°



3000K 24°



Adjustable Downlight

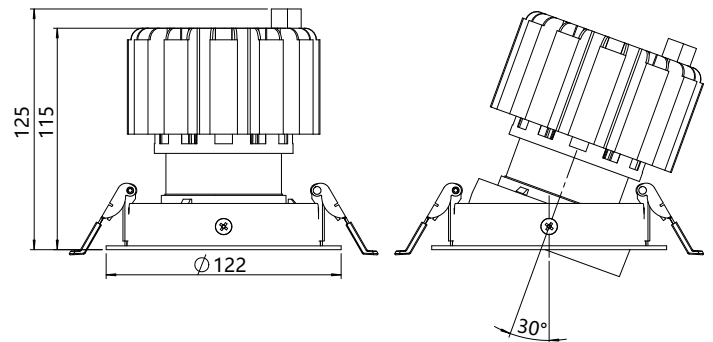
VIVID L

BEST IN CLASS

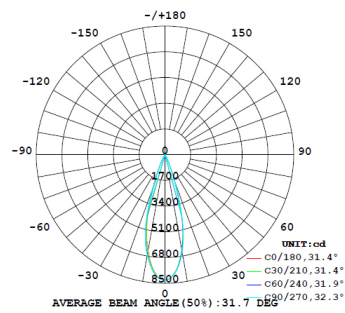
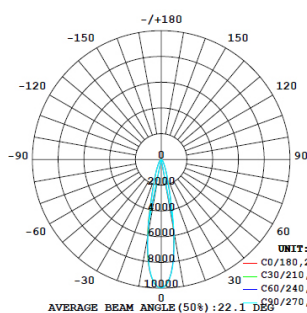
Light Source	COB LED
Optic	LENS
Wattage [W]	30W
Beam angle [°]	15°/24°/36°
CCT [K]	2700K/3000K/3500K/4000K
CRI [Ra]	90+
Luminous flux [lm]	2400lm
MacAdam Step	3
IP rate	20
Finish	White/Black
Material	Aluminium
Tilting angle	0- 30°
Pan movement	N/A
Dimensions	ø122mm x H125mm
Weight	0.75kg
Installation	Recessed
Driver	Remote
Driver Input	220V-240V 50-60Hz
Driver Output	700mA
Dimming type	ON/OFF / 1-10V



Ø105

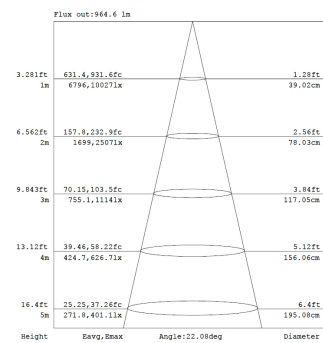


Remark

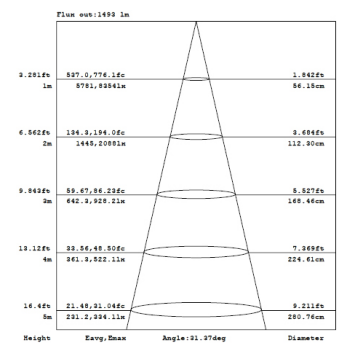


3000K 15°

3000K 24°



3000K 15°



3000K 24°

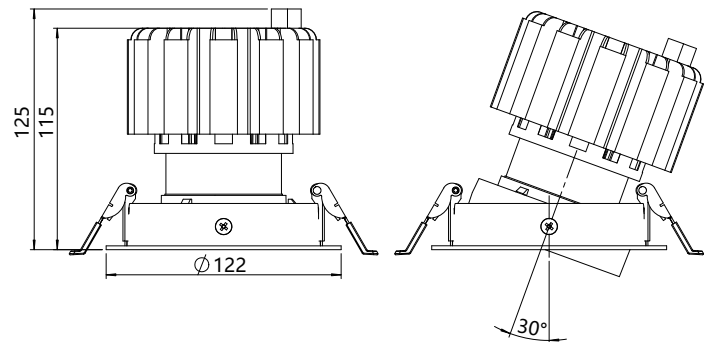
Adjustable Downlight

VIVID XL

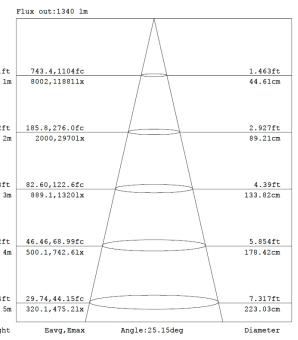
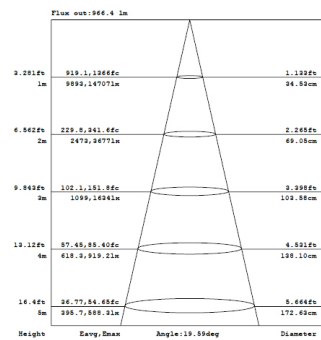
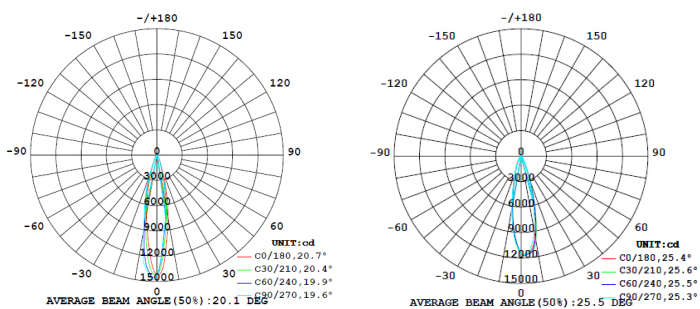
Light Source	COB LED
Optic	LENS
Wattage [W]	35W
Beam angle [°]	15°/24°/36°
CCT [K]	2700K/3000K/3500K/4000K
CRI [Ra]	90+
Luminous flux [lm]	3200lm
MacAdam Step	3
IP rate	20
Finish	White/Black
Material	Aluminium
Tilting angle	0- 30°
Pan movement	N/A
Dimensions	ø122mm x H145mm
Weight	0.95kg
Installation	Recessed
Driver	Remote
Driver Input	220V-240V 50-60Hz
Driver Output	900mA
Dimming type	ON/OFF / 1-10V



Ø105



Remark



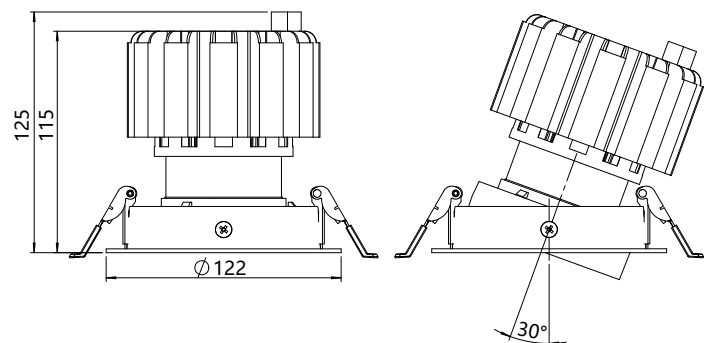
Adjustable Downlight

VIVID XXL

Light Source	COB LED
Optic	LENS
Wattage [W]	40W
Beam angle [°]	15°/24°/36°
CCT [K]	2700K/3000K/3500K/4000K
CRI [Ra]	90+
Luminous flux [lm]	3600lm
MacAdam Step	3
IP rate	20
Finish	White/Black
Material	Aluminium
Tilting angle	0- 30°
Pan movement	N/A
Dimensions	ø122mm x H145mm
Weight	0.95kg
Installation	Recessed
Driver	remote
Driver Input	220V-240V 50-60Hz
Driver Output	1000mA
Dimming type	ON/OFF / 1-10V



Ø105



Remark



Adjustable Downlight

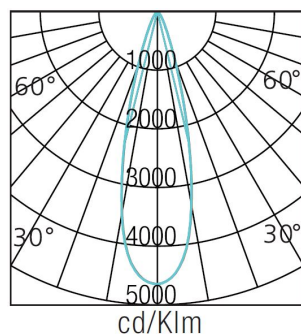
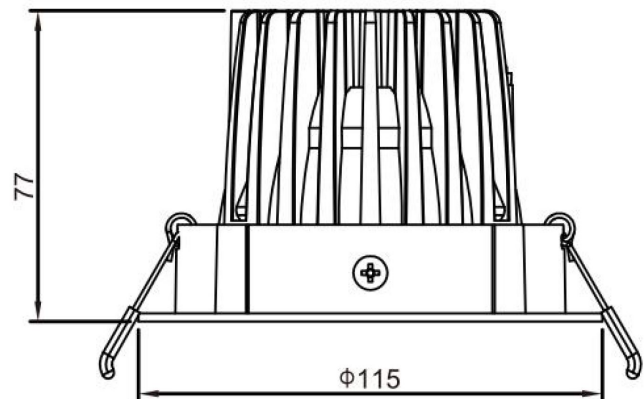
JUDO S

Light Source	COB LED
Optic	REFLECTOR + LENS
Wattage [W]	15W
Beam angle [°]	15°/28°/36°
CCT [K]	2700K/3000K/3500K/4000K
CRI [Ra]	90+
Luminous flux [lm]	1400lm
MacAdam Step	3
IP rate	20
Finish	White/Black
Material	Aluminium
Tilting angle	0-20°
Pan movement	-
Dimensions	ø 115 mm x H 77 mm
Weight	0.6kg
Installation	Recessed
Driver	Remote
Driver Input	220V-240V 50-60Hz
Driver Output	350mA
Dimming type	ON/OFF / 1-10V
Packaging	720x295x328mm, 20pcs/CTN

Remark
Cut out $\Phi 100\text{mm}-105\text{mm}$



$\Phi 100$



H(m)	Emax	D(m)
1m	4796lx	0.49m
2m	1199lx	0.98m
3m	533lx	1.47m
4m	300lx	1.96m
5m	191lx	2.45m

28° 3000K

H(m)	Emax	D(m)
1m	5271lx	0.49m
2m	1318lx	0.98m
3m	586lx	1.48m
4m	329lx	1.96m
5m	211lx	2.46m

28° 4000K

Adjustable Downlight

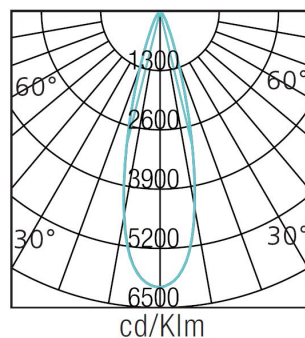
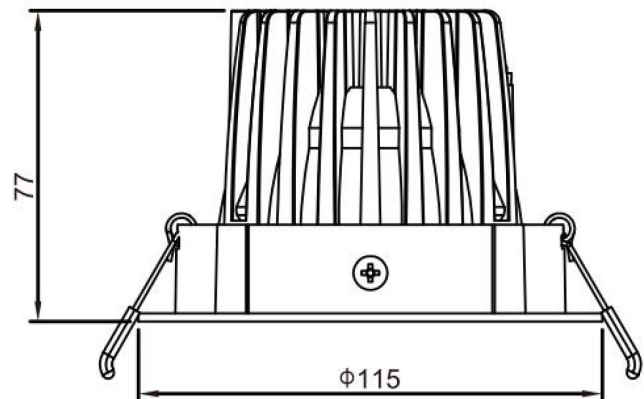
JUDO M

Light Source	COB LED
Optic	REFLECTOR + LENS
Wattage [W]	20W
Beam angle [°]	15°/28°/36°
CCT [K]	2700K/3000K/3500K/4000K
CRI [Ra]	90+
Luminous flux [lm]	1800lm
MacAdam Step	3
IP rate	20
Finish	White/Black
Material	Aluminium
Tilting angle	0-20°
Pan movement	-
Dimensions	ø 115 mm x H 77 mm
Weight	0.6kg
Installation	Recessed
Driver	remote
Driver Input	220V-240V 50-60Hz
Driver Output	500mA
Dimming type	ON/OFF / 1-10V
Packaging	720x295x328mm, 20pcs/CTN

Remark
Cut out $\Phi 100\text{mm}-105\text{mm}$



$\Phi 100$



28°

H(m)	Emax	D(m)
1m	6212lx	0.49m
2m	1553lx	0.98m
3m	690lx	1.47m
4m	388lx	1.96m
5m	248lx	2.45m

28° 3000K

H(m)	Emax	D(m)
1m	6802lx	0.49m
2m	1700lx	0.98m
3m	755lx	1.47m
4m	425lx	1.97m
5m	272lx	2.46m

28° 4000K

Adjustable Downlight

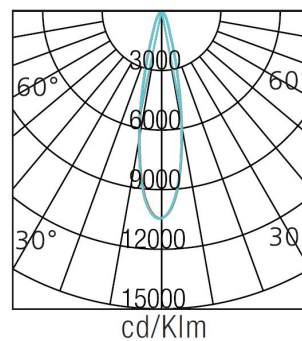
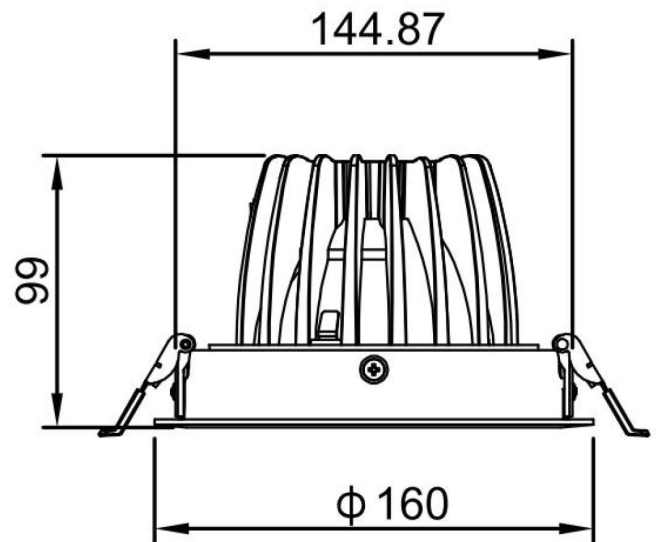
JUDO L

Light Source	COB LED
Optic	REFLECTOR + LENS
Wattage [W]	28W
Beam angle [°]	15°/24°/40°
CCT [K]	2700K/3000K/3500K/4000K
CRI [Ra]	90+
Luminous flux [lm]	3000lm
MacAdam Step	3
IP rate	20
Finish	White/Black
Material	Aluminium
Tilting angle	0-30°
Pan movement	-
Dimensions	ø 160 mm x H 99 mm
Weight	0.95kg
Installation	Recessed
Driver	Remote
Driver Input	220V-240V 50-60Hz
Driver Output	700mA
Dimming type	ON/OFF / 1-10V
Packaging	710x370x390mm, 16pcs/CTN

Remark
Cut out $\Phi 145\text{mm}-155\text{mm}$



$\Phi 150$



24°

H(m)	Emax	D(m)
1m	11135lx	0.40m
2m	2784lx	0.80m
3m	1237lx	1.21m
4m	696lx	1.61m
5m	445lx	2.02m

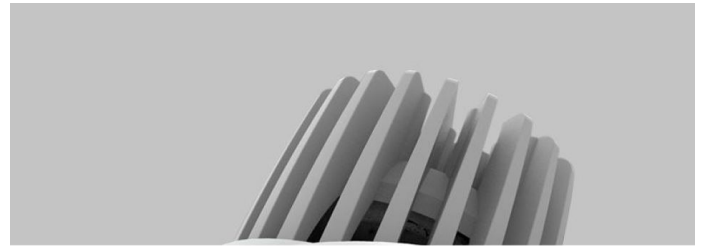
24° 3000K

Adjustable Downlight

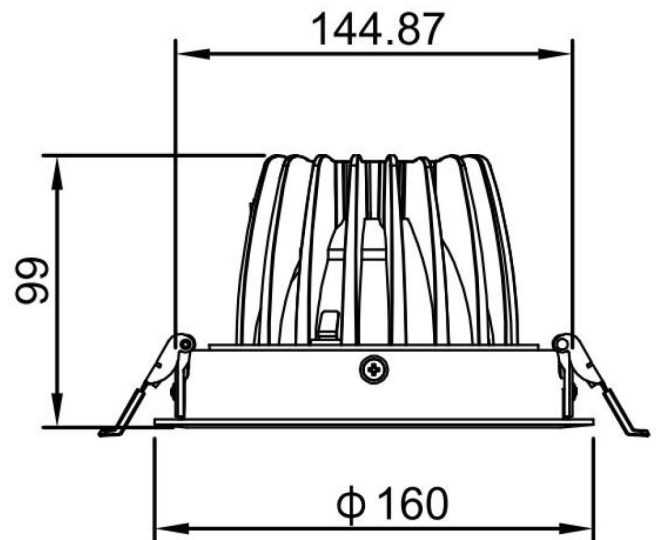
JUDO XL

Light Source	COB LED
Optic	REFLECTOR + LENS
Wattage [W]	32W
Beam angle [°]	15°/24°/40°
CCT [K]	2700K/3000K/3500K/4000K
CRI [Ra]	90+
Luminous flux [lm]	
MacAdam Step	3
IP rate	20
Finish	White/Black
Material	Aluminium
Tilting angle	0-30°
Pan movement	-
Dimensions	ø 160 mm x H 99 mm
Weight	0.95kg
Installation	Recessed
Driver	remote
Driver Input	220V-240V 50-60Hz
Driver Output	
Dimming type	ON/OFF / 1-10V
Packaging	710x370x390mm, 16pcs/CTN

Remark
Cut out Φ 145mm-155mm



Φ 150

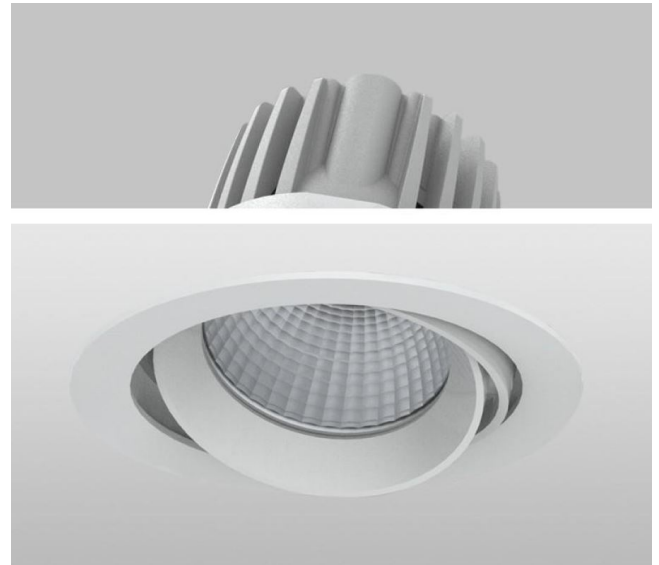


Recessed Downlight (bi-directional adjustable)

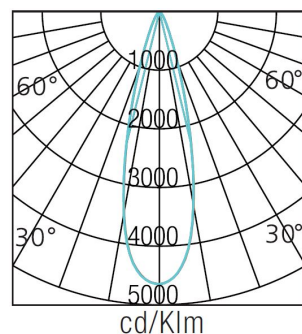
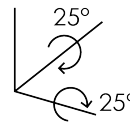
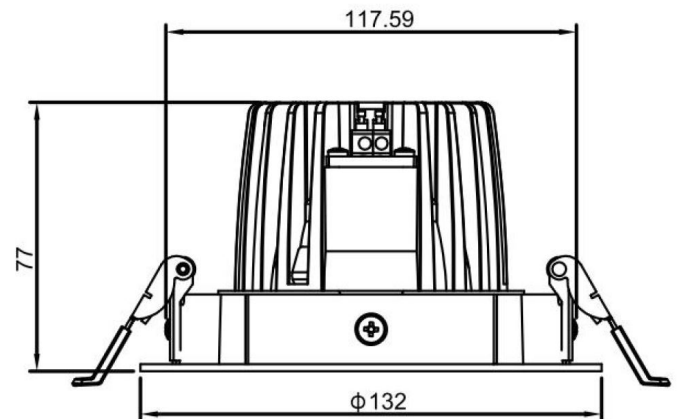
JADE S

Light Source	COB LED
Optic	REFLECTOR + LENS
Wattage [W]	15W
Beam angle [°]	15°/28°/36°
CCT [K]	3000K/4000K
CRI [Ra]	90+
Luminous flux [lm]	1500lm
MacAdam Step	3
IP rate	20
Finish	White/Black
Material	Aluminium
Tilting angle	Y: 0-25° X: 0-25°
Pan movement	bi-directional
Dimensions	ø132mm x H77mm
Weight	0.65kg
Installation	Recessed
Driver	remote
Driver Input	220V-240V 50-60Hz
Driver Output	350mA
Dimming type	ON/OFF / 1-10V
Packaging	720x295x328mm, 20pcs/CTN

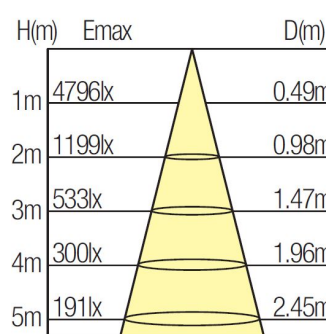
Remark
Cut out $\Phi 120\text{mm}-125\text{mm}$



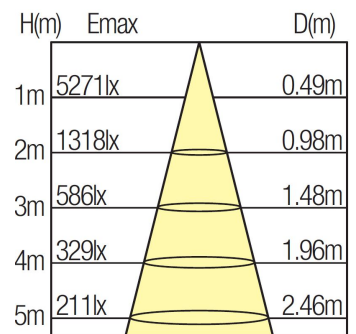
$\Phi 120$



28°



28° 3000K



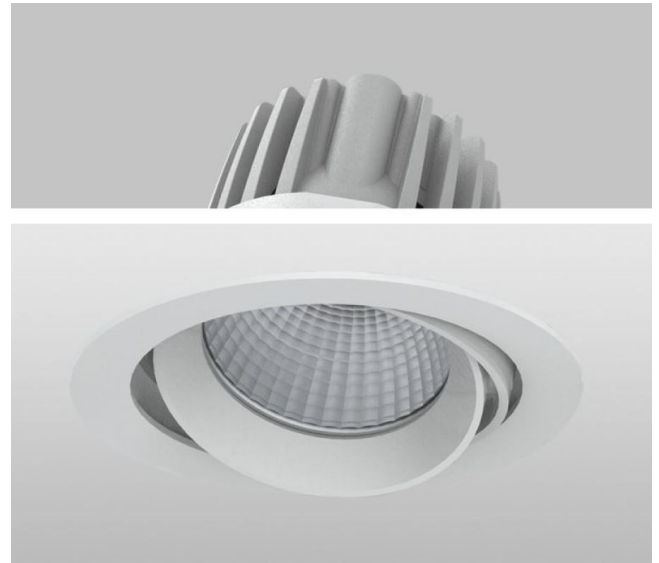
28° 4000K

Recessed Downlight (bi-directional adjustable)

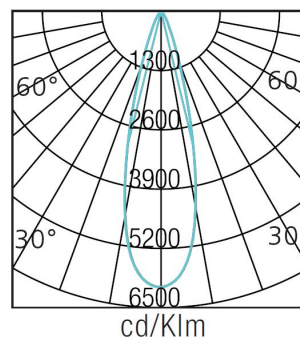
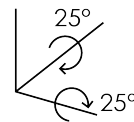
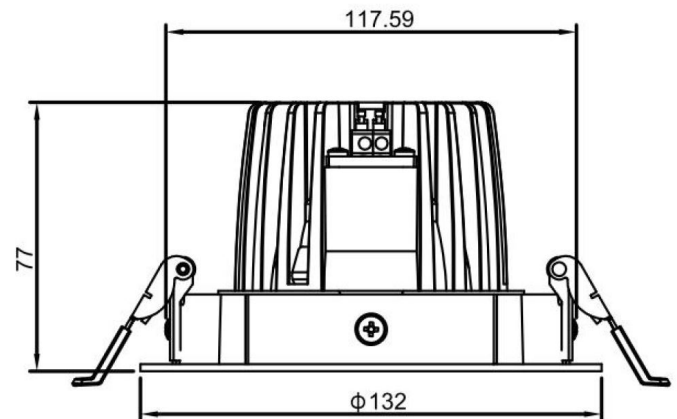
JADE M

Light Source	COB LED
Optic	REFLECTOR + LENS
Wattage [W]	20W
Beam angle [°]	15°/28°/36°
CCT [K]	3000K/4000K
CRI [Ra]	90+
Luminous flux [lm]	1800lm
MacAdam Step	3
IP rate	20
Finish	White/Black
Material	Aluminium
Tilting angle	Y: 0-25° X: 0-25°
Pan movement	bi-directional
Dimensions	ø132mm x H77mm
Weight	0.65kg
Installation	Recessed
Driver	remote
Driver Input	220V-240V 50-60Hz
Driver Output	500mA
Dimming type	ON/OFF / 1-10V
Packaging	720x295x328mm, 20pcs/CTN

Remark
Cut out $\Phi 120\text{mm}-125\text{mm}$



$\Phi 120$



H(m)	E _{max}	D(m)
1m	6212lx	0.49m
2m	1553lx	0.98m
3m	690lx	1.47m
4m	388lx	1.96m
5m	248lx	2.45m

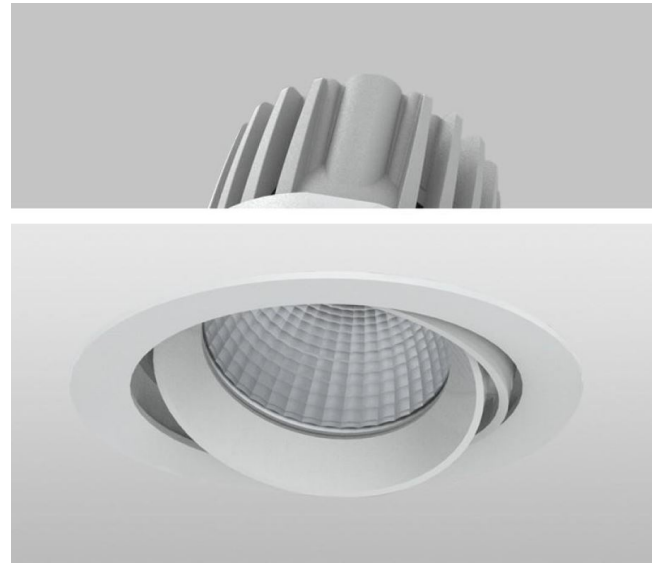
28°

28° 3000K

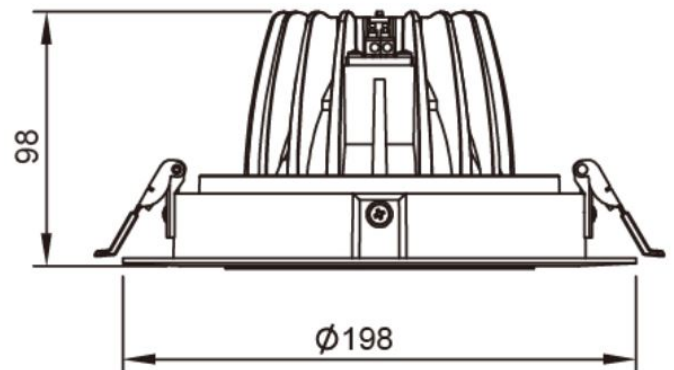
Recessed Downlight (bi-directional adjustable)

JADE L

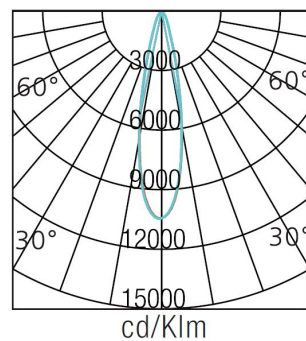
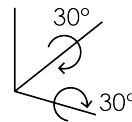
Light Source	COB LED
Optic	REFLECTOR + LENS
Wattage [W]	28W
Beam angle [°]	15°/24°/40°
CCT [K]	3000K/4000K
CRI [Ra]	90+
Luminous flux [lm]	3000lm
MacAdam Step	3
IP rate	20
Finish	White/Black
Material	Aluminium
Tilting angle	Y: 0-30° X: 0-30°
Pan movement	bi-directional
Dimensions	ø198mm x H 98mm
Weight	1.2kg
Installation	Recessed
Driver	Remote
Driver Input	220V-240V 50-60Hz
Driver Output	700mA
Dimming type	ON/OFF / 1-10V
Packaging	430x430x390mm, 8pcs/CTN



Ø175



Remark
Cut out Ø165mm-175mm



24°

H(m)	E _{max}	D(m)
1m	11135lx	0.40m
2m	2784lx	0.80m
3m	1237lx	1.21m
4m	696lx	1.61m
5m	445lx	2.02m

24° 3000K

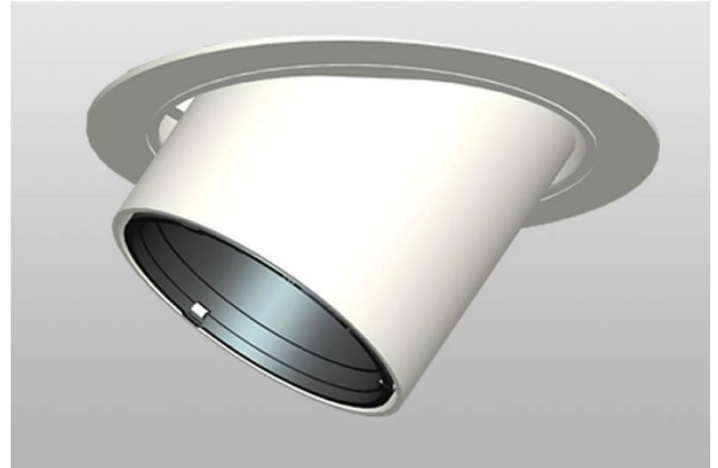
H(m)	E _{max}	D(m)
1m	11538lx	0.40m
2m	2884lx	0.81m
3m	1282lx	1.21m
4m	721lx	1.62m
5m	461lx	2.02m

24° 4000K

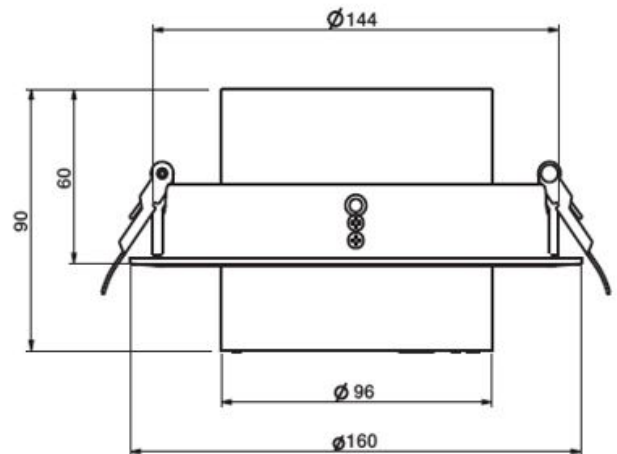
Recessed Downlight

TAO S

Light Source	COB LED
Optic	LENS
Wattage [W]	15W
Beam angle [°]	12°/20°/36°
CCT [K]	3000K/4000K
CRI [Ra]	90+
Luminous flux [lm]	1500lm
MacAdam Step	3
IP rate	20
Finish	White/Black
Material	Aluminium
Tilting angle	0-30°
Pan movement	0-355°
Dimensions	ø144mm x H90mm
Weight	1.1kg
Installation	Recessed
Driver	remote
Driver Input	220V-240V 50-60Hz
Driver Output	360mA
Dimming type	ON/OFF / 1-10V
Packaging	430x430x350mm, 8pcs/CTN
Remark	



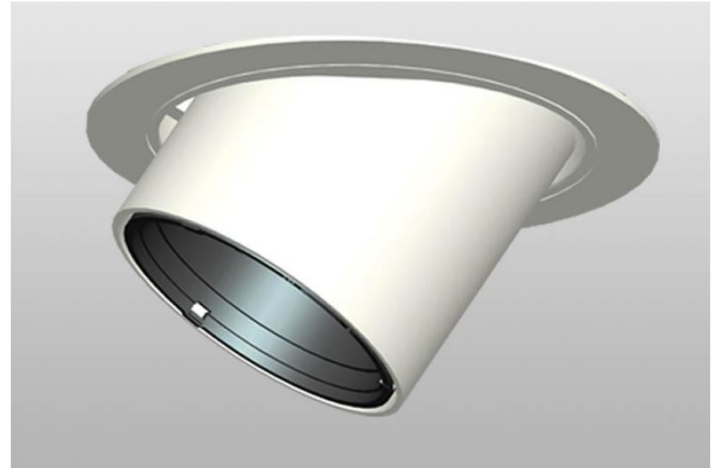
Ø165



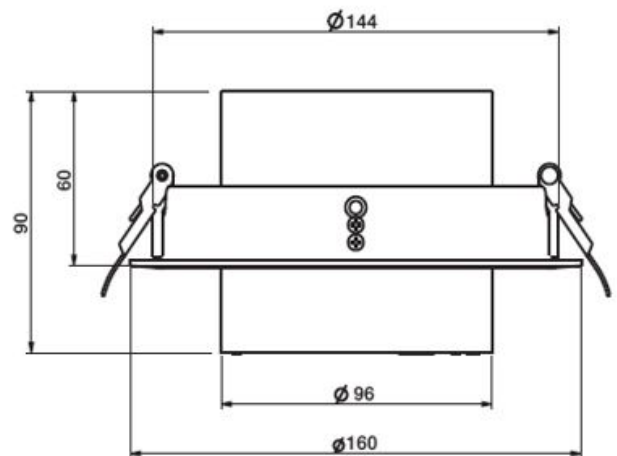
Recessed Downlight

TAO M

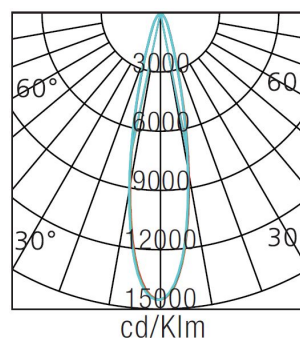
Light Source	COB LED
Optic	LENS
Wattage [W]	20W
Beam angle [°]	12°/20°/36°
CCT [K]	3000K/4000K
CRI [Ra]	90+
Luminous flux [lm]	1800lm
MacAdam Step	3
IP rate	20
Finish	White/Black
Material	Aluminium
Tilting angle	0-30°
Pan movement	0-355°
Dimensions	ø144mm x H90mm
Weight	1.1kg
Installation	Recessed
Driver	Remote
Driver Input	220V-240V 50-60Hz
Driver Output	500mA
Dimming type	ON/OFF / 1-10V
Packaging	430x430x350mm, 8pcs/CTN



Ø165



Remark



H(m)	Emax	D(m)
1m	11964lx	0.34m
2m	2991lx	0.69m
3m	1329lx	1.03m
4m	748lx	1.38m
5m	478lx	1.72m

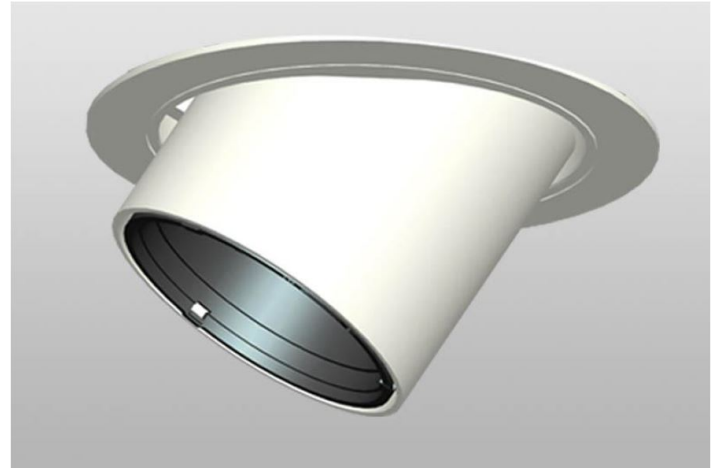
20° 3000K

Recessed Downlight

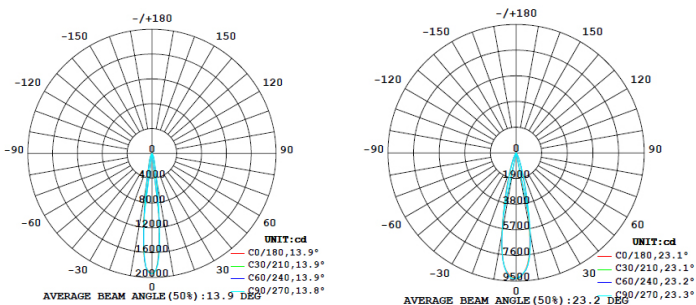
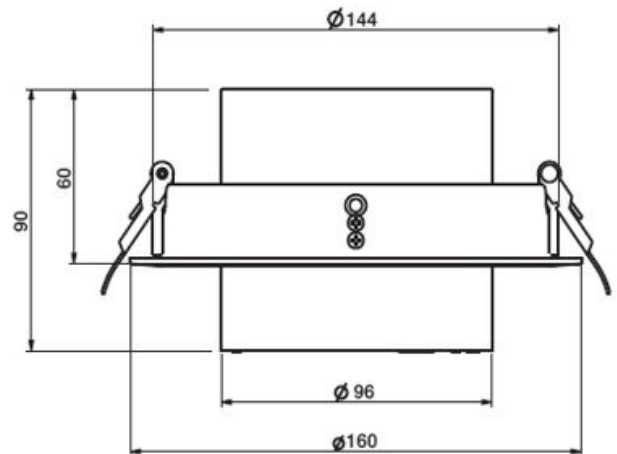
TAO L

Light Source	COB LED
Optic	LENS
Wattage [W]	25W
Beam angle [°]	12°/20°/36°
CCT [K]	3000K/4000K
CRI [Ra]	90+
Luminous flux [lm]	1700lm
MacAdam Step	3
IP rate	20
Finish	White/Black
Material	Aluminium
Tilting angle	0-30°
Pan movement	0-355°
Dimensions	ø144mm x H90mm
Weight	1.1kg
Installation	Recessed
Driver	remote
Driver Input	220V-240V 50-60Hz
Driver Output	
Dimming type	ON/OFF / 1-10V
Packaging	430x430x350mm, 8pcs/CTN

Remark

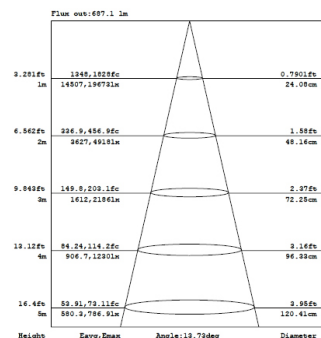


Ø165

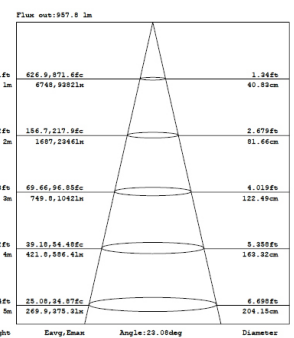


3000K 12°

3000K 20°



3000K 12°

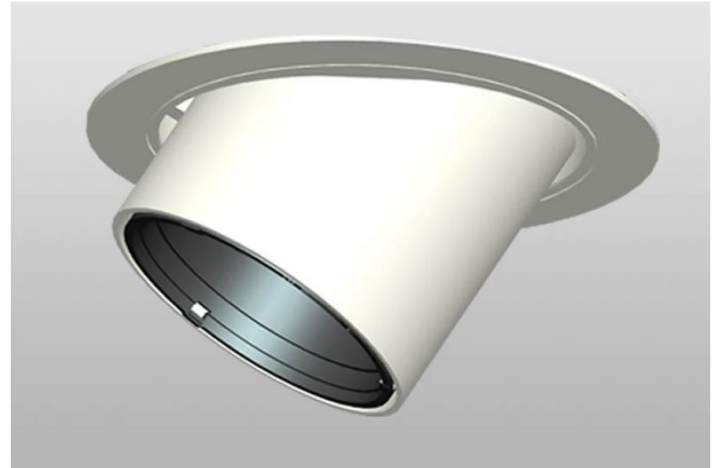


3000K 20°

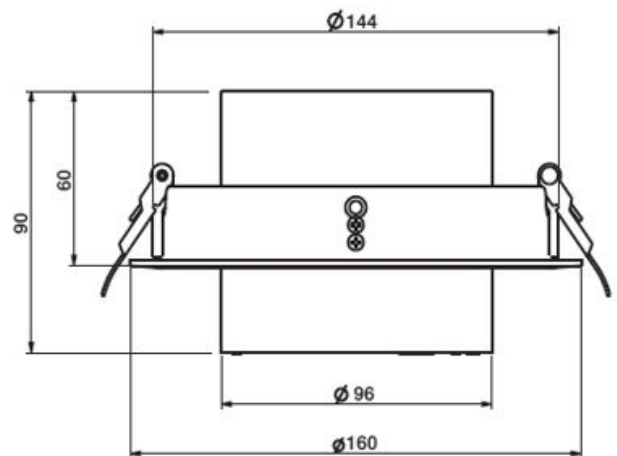
Recessed Downlight

TAO XL

Light Source	COB LED
Optic	LENS
Wattage [W]	35W
Beam angle [°]	12°/20°/36°
CCT [K]	3000K/4000K
CRI [Ra]	90+
Luminous flux [lm]	
MacAdam Step	3
IP rate	20
Finish	White/Black
Material	Aluminium
Tilting angle	0-30°
Pan movement	0-355°
Dimensions	ø144mm x H90mm
Weight	1.1kg
Installation	Recessed
Driver	remote
Driver Input	220V-240V 50-60Hz
Driver Output	
Dimming type	ON/OFF / 1-10V
Packaging	430x430x350mm, 8pcs/CTN
Remark	



Ø165

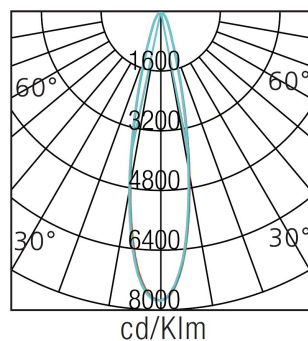
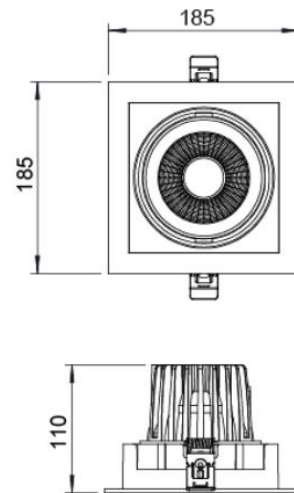
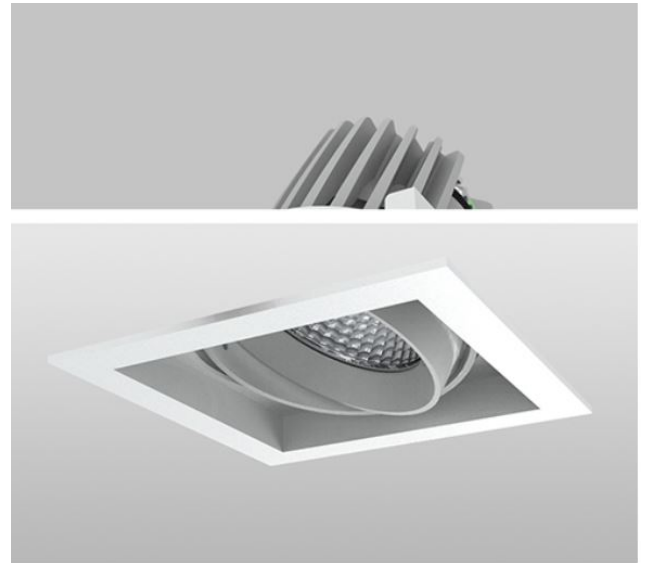


Ceiling Recessed Spotlight (Multidirectionnal)

MERA SQUARE 20W SOLO

Light Source	COB LED
Optic	Reflector
Wattage [W]	20W
Beam angle [°]	15°/24°/40°
CCT [K]	2700K / 3000K / 3500K / 4000K
CRI [Ra]	90+
Luminous flux [lm]	2000lm
MacAdam Step	3
IP rate	20
Finish	White/Black
Material	Aluminium
Tilting angle	Y: 0-30° X: 0-25°
Pan movement	Multidirectional
Dimensions	H110mm x L 185mm x W185mm
Weight	1.4KG
Installation	Recessed
Driver	Included
Driver Input	220V-240V 50-60Hz
Driver Output	350mA
Dimming type	ON/OFF / Optionnal

Remark
Cut out 165x165mm



H(m)	E _{max}	D(m)
1m	7998lx	0.40m
2m	1999lx	0.81m
3m	889lx	1.21m
4m	500lx	1.62m
5m	320lx	2.02m

24° 3000K

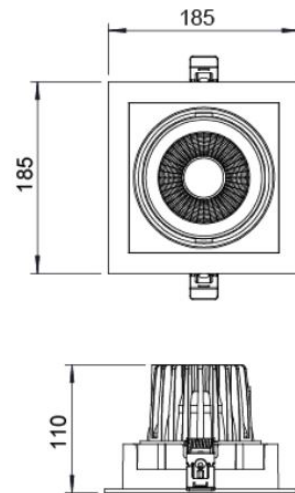
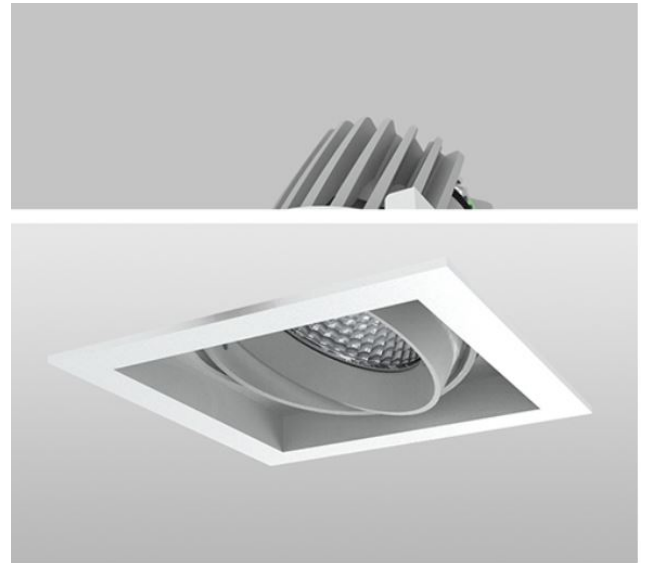
H(m)	E _{max}	D(m)
1m	8318lx	0.41m
2m	2080lx	0.81m
3m	924lx	1.22m
4m	520lx	1.62m
5m	333lx	2.03m

24° 4000K

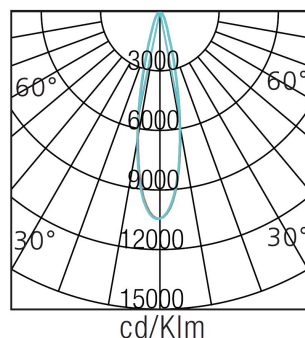
Ceiling Recessed Spotlight

NERA SQUARE 28W SOLO

Light Source	COB LED
Optic	Reflector
Wattage [W]	28W
Beam angle [°]	15°/24°/40°
CCT [K]	2700K / 3000K / 3500K / 4000K
CRI [Ra]	90+
Luminous flux [lm]	3000lm
MacAdam Step	3
IP rate	20
Finish	White/Black
Material	Aluminium
Tilting angle	Y: 0-30° X: 0-25°
Pan movement	Multidirectional
Dimensions	H110mm x L 185mm x W185mm
Weight	1.4KG
Installation	Recessed
Driver	Remote
Driver Input	220V-240V 50-60Hz
Driver Output	700mA
Dimming type	ON/OFF / Optionnal



Remark
Cut hole 165x165mm



H(m)	E _{max}	D(m)
1m	11135lx	0.40m
2m	2784lx	0.80m
3m	1237lx	1.21m
4m	696lx	1.61m
5m	445lx	2.02m

24° 3000k

H(m)	E _{max}	D(m)
1m	11538lx	0.40m
2m	2884lx	0.81m
3m	1282lx	1.21m
4m	721lx	1.62m
5m	461lx	2.02m

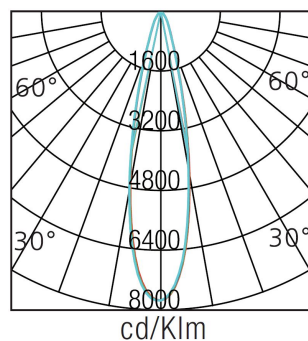
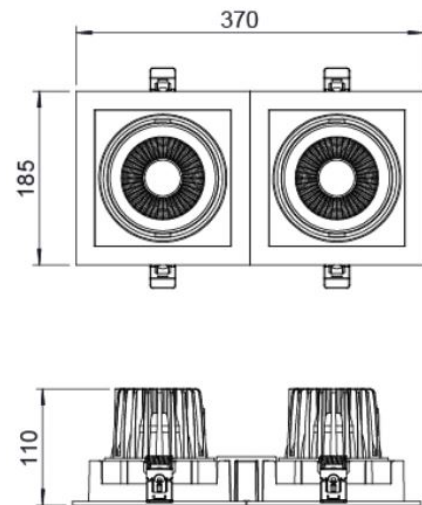
24° 4000K

Ceiling Recessed Spotlight (Multidirectionnal)

MERA SQUARE 20W DUO

Light Source	COB LED
Optic	Reflector
Wattage [W]	2x20W
Beam angle [°]	15°/24°/40°
CCT [K]	2700K / 3000K / 3500K / 4000K
CRI [Ra]	90+
Luminous flux [lm]	2000lm x 2
MacAdam Step	3
IP rate	20
Finish	White/Black
Material	Aluminium
Tilting angle	Y: 0-30° X: 0-25°
Pan movement	Multidirectional
Dimensions	H110mm x L 370mm x W185mm
Weight	2.8KG
Installation	Recessed
Driver	remote
Driver Input	220V-240V 50-60Hz
Driver Output	350mA x 2
Dimming type	ON/OFF / Optional

Remark
Cut hole 350x165mm



H(m)	E _{max}	D(m)
1m	7998lx	0.40m
2m	1999lx	0.81m
3m	889lx	1.21m
4m	500lx	1.62m
5m	320lx	2.02m

24° 3000K

H(m)	E _{max}	D(m)
1m	8318lx	0.41m
2m	2080lx	0.81m
3m	924lx	1.22m
4m	520lx	1.62m
5m	333lx	2.03m

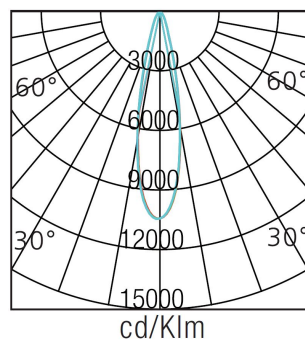
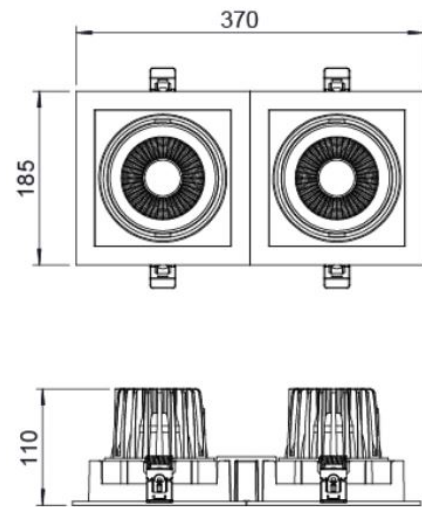
24° 4000K

Ceiling Recessed Spotlight (Multidirectionnal)

MERA SQUARE 28W DUO

Light Source	COB
Optic	Reflector
Wattage [W]	2x28W
Beam angle [°]	15°/24°/40°
CCT [K]	2700K / 3000K / 3500K / 4000K
CRI [Ra]	90+
Luminous flux [lm]	3000lm x 2
MacAdam Step	3
IP rate	20
Finish	White/Black
Material	Aluminium
Tilting angle	Y: 0-30° X: 0-25°
Pan movement	Multidirectional
Dimensions	H110mm x L 370mm x W185mm
Weight	2.8KG
Installation	Recessed
Driver	Remote
Driver Input	220V-240V 50-60Hz
Driver Output	700mA x 2
Dimming type	ON/OFF / Optionnal

Remark
Cut hole 165x350mm



H(m)	E _{max}	D(m)
1m	11135lx	0.40m
2m	2784lx	0.80m
3m	1237lx	1.21m
4m	696lx	1.61m
5m	445lx	2.02m

24° 3000k

H(m)	E _{max}	D(m)
1m	11538lx	0.40m
2m	2884lx	0.81m
3m	1282lx	1.21m
4m	721lx	1.62m
5m	461lx	2.02m

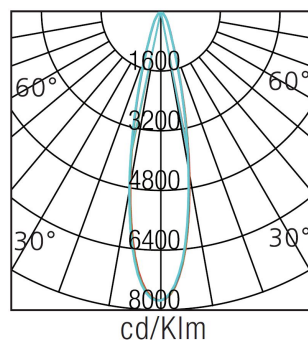
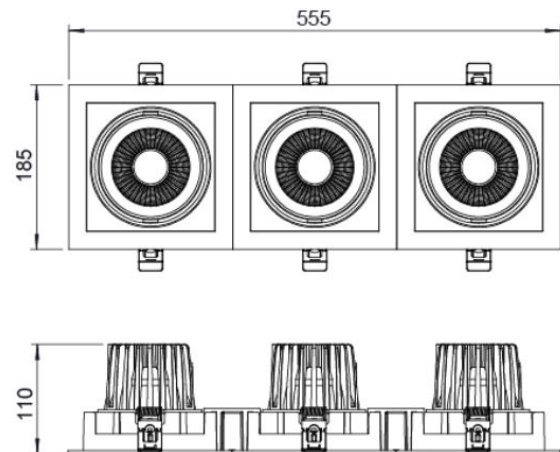
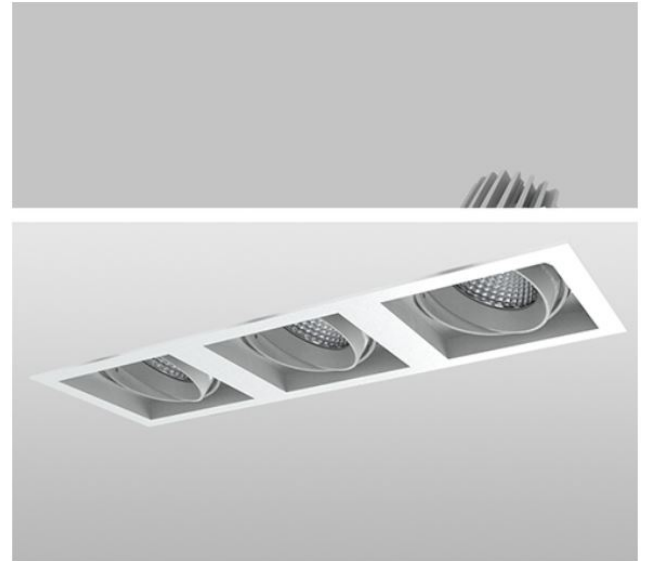
24° 4000k

Ceiling Recessed Spotlight (Multidirectionnal)

MERA SQUARE 20W TRIO

Light Source	COB LED
Optic	Reflector
Wattage [W]	3x20W
Beam angle [°]	15°/24°/40°
CCT [K]	2700K / 3000K / 3500K / 4000K
CRI [Ra]	90+
Luminous flux [lm]	2000lm x 3
MacAdam Step	3
IP rate	20
Finish	White/Black
Material	Aluminium
Tilting angle	Y: 0-30° X: 0-25°
Pan movement	Multidirectional
Dimensions	H110mm x L 555mm x W185mm
Weight	2.8KG
Installation	Recessed
Driver	remote
Driver Input	220V-240V 50-60Hz
Driver Output	350mA x 3
Dimming type	ON/OFF / Optionnal

Remark
Cut hole 535x165mm



H(m)	E _{max}	D(m)
1m	7998lx	0.40m
2m	1999lx	0.81m
3m	889lx	1.21m
4m	500lx	1.62m
5m	320lx	2.02m

24° 3000K

H(m)	E _{max}	D(m)
1m	8318lx	0.41m
2m	2080lx	0.81m
3m	924lx	1.22m
4m	520lx	1.62m
5m	333lx	2.03m

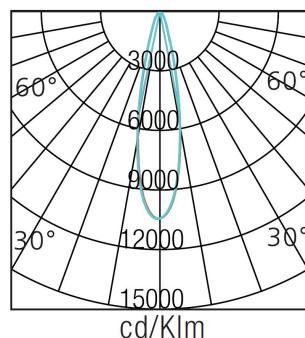
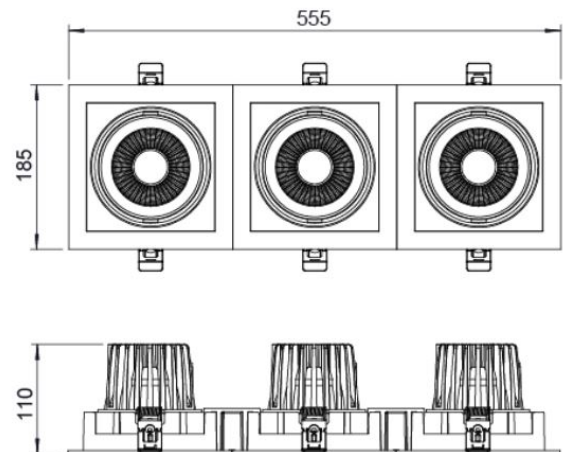
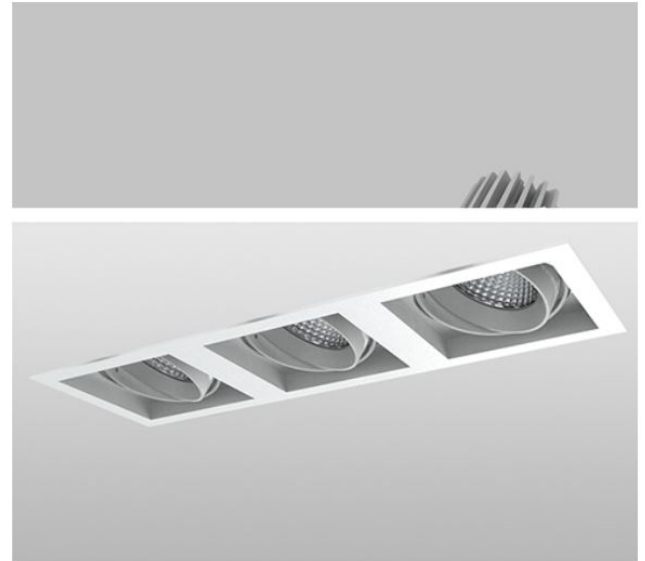
24° 4000K

Ceiling Recessed Spotlight (Multidirectionnal)

MERA SQUARE 28W TRIO

Light Source	COB
Optic	Reflector
Wattage [W]	3x28W
Beam angle [°]	15°/24°/40°
CCT [K]	2700K / 3000K / 3500K / 4000K
CRI [Ra]	90+
Luminous flux [lm]	3000lm x 3
MacAdam Step	3
IP rate	20
Finish	White/Black
Material	Aluminium
Tilting angle	Y: 0-30° X: 0-25°
Pan movement	Multidirectional
Dimensions	H110mm x L 555mm x W185mm
Weight	4.3KG
Installation	Recessed
Driver	Remote
Driver Input	220V-240V 50-60Hz
Driver Output	700mA x 3
Dimming type	ON/OFF / Optionnal

Remark
Cut hole 535x165mm



H(m)	E _{max}	D(m)
1m	11135lx	0.40m
2m	2784lx	0.80m
3m	1237lx	1.21m
4m	696lx	1.61m
5m	445lx	2.02m

24° 3000k

H(m)	E _{max}	D(m)
1m	11538lx	0.40m
2m	2884lx	0.81m
3m	1282lx	1.21m
4m	721lx	1.62m
5m	461lx	2.02m

24° 4000k

Ceiling Recessed Spotlight (Multidirectionnal)

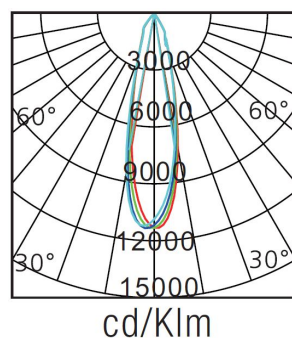
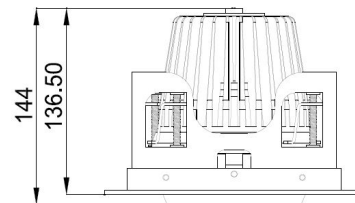
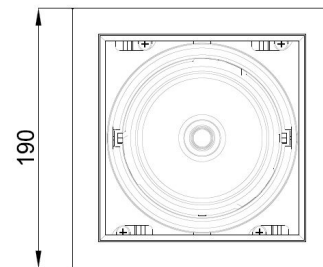
HERA M SOLO

Light Source	COB LED
Optic	Reflector
Wattage [W]	20W
Beam angle [°]	10°/20°/38°
CCT [K]	2700K / 3000K / 3500K / 4000K
CRI [Ra]	90+
Luminous flux [lm]	1800lm
MacAdam Step	3
IP rate	20
Finish	White/Black
Material	Aluminium
Tilting angle	0-30°
Pan movement	Multidirectional
Dimensions	H144mm x L 190mm x W 190mm
Weight	1KG
Installation	Recessed
Driver	Remote
Driver Input	220V-240V 50-60Hz
Driver Output	500mA
Dimming type	ON/OFF / 1-10V
Packaging	450x450x360mm, 8pcs/CTN

Remark



□165



H(m)	Emax	D(m)
1m	10310lx	0.29m
2m	2578lx	0.59m
3m	1146lx	0.89m
4m	644lx	1.19m
5m	412lx	1.48m

15° 3000K

H(m)	Emax	D(m)
1m	11299lx	0.30m
2m	2825lx	0.60m
3m	1255lx	0.90m
4m	706lx	1.20m
5m	452lx	1.50m

20° 4000K

Ceiling Recessed Spotlight (Multidirectionnal)

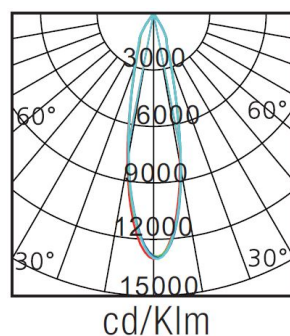
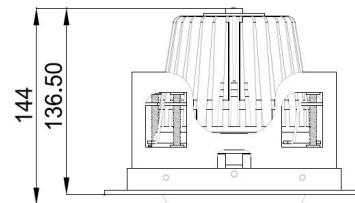
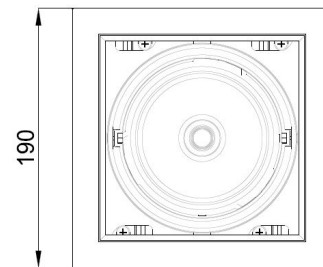
HERA L SOLO

Light Source	COB LED
Optic	Reflector
Wattage [W]	30W
Beam angle [°]	10°/20°/45°
CCT [K]	2700K / 3000K / 3500K / 4000K
CRI [Ra]	90+
Luminous flux [lm]	2600lm
MacAdam Step	3
IP rate	20
Finish	White/Black
Material	Aluminium
Tilting angle	0-30°
Pan movement	Multidirectional
Dimensions	H144mm x L 190mm x W 190mm
Weight	1KG
Installation	Recessed
Driver	Remote
Driver Input	220V-240V 50-60Hz
Driver Output	700mA
Dimming type	ON/OFF / 1-10V
Packaging	450x450x360mm, 8pcs/CTN

Remark



□165



H(m)	E _{max}	D(m)
1m	125361lx	0.36m
2m	3134lx	0.72m
3m	1393lx	1.08m
4m	783lx	1.44m
5m	501lx	1.80m

20° 3000K

H(m)	E _{max}	D(m)
1m	13077lx	0.36m
2m	3269lx	0.72m
3m	1453lx	1.08m
4m	817lx	1.45m
5m	523lx	1.81m

20° 4000K

Ceiling Recessed Spotlight

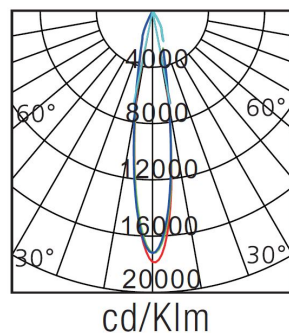
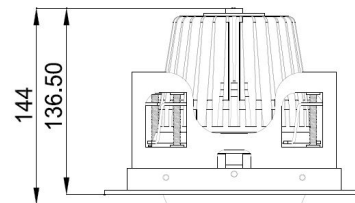
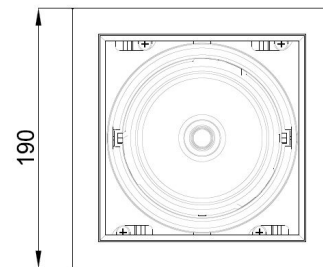
HERA XL SOLO

Light Source	COB LED
Optic	Reflector
Wattage [W]	40W
Beam angle [°]	10°/20°/45°
CCT [K]	2700K / 3000K / 3500K / 4000K
CRI [Ra]	90+
Luminous flux [lm]	3800lm
MacAdam Step	3
IP rate	20
Finish	White/Black
Material	Aluminium
Tilting angle	0-30°
Pan movement	Multidirectional
Dimensions	H144mm x L 190mm x W 190mm
Weight	1KG
Installation	Recessed
Driver	Remote
Driver Input	220V-240V 50-60Hz
Driver Output	1000mA
Dimming type	ON/OFF / 1-10V
Packaging	450x450x360mm, 8pcs/CTN

Remark



□165



H(m)	Emax	D(m)
1m	18065lx	0.35m
2m	45161lx	0.71m
3m	2007lx	1.07m
4m	1129lx	1.43m
5m	722lx	1.79m

20° 3000K

H(m)	Emax	D(m)
1m	18333lx	0.35m
2m	4583lx	0.71m
3m	2037lx	1.06m
4m	1146lx	1.42m
5m	733lx	1.77m

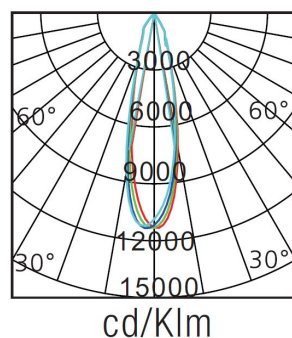
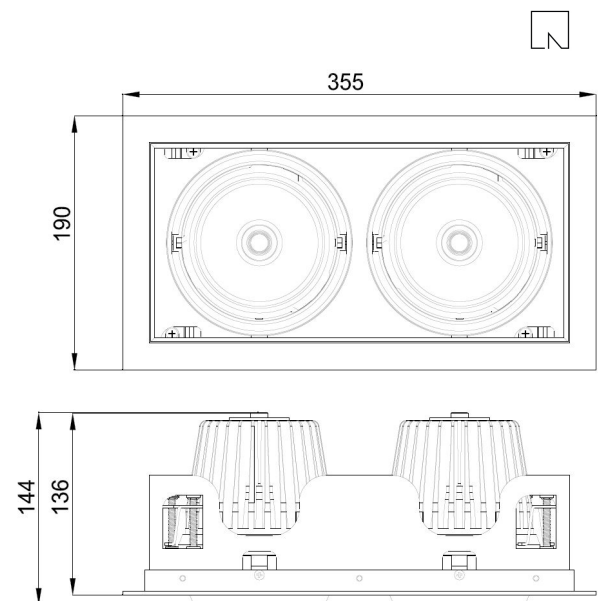
20° 4000K

Ceiling Recessed Spotlight (Multidirectionnal)

HERA M DUO

Light Source	COB LED
Optic	Reflector
Wattage [W]	2x20W
Beam angle [°]	10°/20°/38°
CCT [K]	2700K / 3000K / 3500K / 4000K
CRI [Ra]	90+
Luminous flux [lm]	1800lm x2
MacAdam Step	3
IP rate	20
Finish	White/Black
Material	Aluminium
Tilting angle	0-30°
Pan movement	Multidirectional
Dimensions	H144mm x L 355mm x W 190mm
Weight	3.5KG
Installation	Recessed
Driver	remote
Driver Input	220V-240V 50-60Hz
Driver Output	500mA x2
Dimming type	ON/OFF / 1-10V
Packaging	450x400x470mm, 4pcs/CTN

Remark
Cut hole: □165x345



H(m)	E _{max}	D(m)
1m	10310lx	0.29m
2m	2578lx	0.59m
3m	1146lx	0.89m
4m	644lx	1.19m
5m	412lx	1.48m

20° 3000K

H(m)	E _{max}	D(m)
1m	11299lx	0.30m
2m	2825lx	0.60m
3m	1255lx	0.90m
4m	706lx	1.20m
5m	452lx	1.50m

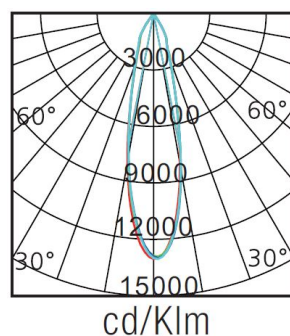
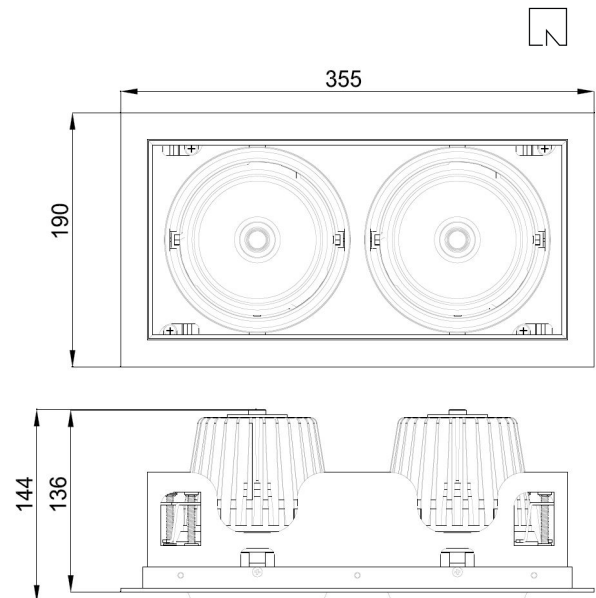
20° 4000K

Ceiling Recessed Spotlight (Multidirectionnal)

HERA L DUO

Light Source	COB LED
Optic	Reflector
Wattage [W]	2x30W
Beam angle [°]	15°/20°/45°
CCT [K]	2700K / 3000K / 3500K / 4000K
CRI [Ra]	90+
Luminous flux [lm]	2600lm x2
MacAdam Step	3
IP rate	20
Finish	White/Black
Material	Aluminium
Tilting angle	0-30°
Pan movement	Multidirectional
Dimensions	H144mm x L 355mm x W 190mm
Weight	3.5KG
Installation	Recessed
Driver	Remote
Driver Input	220V-240V 50-60Hz
Driver Output	700mA
Dimming type	ON/OFF / 1-10V
Packaging	450x400x470mm, 4pcs/CTN

Remark
Cut hole: □165x345



H(m)	E _{max}	D(m)
1m	125361lx	0.36m
2m	3134lx	0.72m
3m	1393lx	1.08m
4m	783lx	1.44m
5m	501lx	1.80m

20° 3000K

H(m)	E _{max}	D(m)
1m	13077lx	0.36m
2m	3269lx	0.72m
3m	1453lx	1.08m
4m	817lx	1.45m
5m	523lx	1.81m

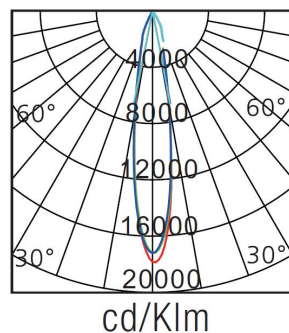
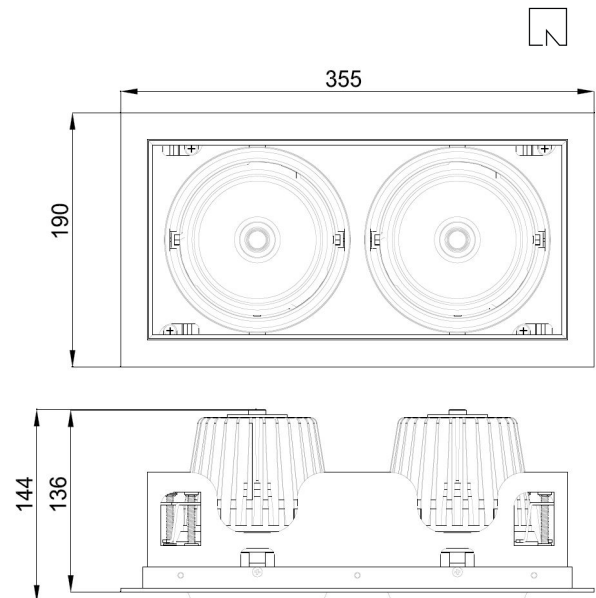
20° 4000K

Ceiling Recessed Spotlight (Multidirectionnal)

HERA XL DUO

Light Source	COB LED
Optic	Reflector
Wattage [W]	2x40W
Beam angle [°]	15°/20°/45°
CCT [K]	2700K / 3000K / 3500K / 4000K
CRI [Ra]	90+
Luminous flux [lm]	3800lm x 2
MacAdam Step	3
IP rate	20
Finish	White/Black
Material	Aluminum
Tilting angle	0-30°
Pan movement	Multidirectional
Dimensions	H144mm x L 355mm x W 190mm
Weight	3.5KG
Installation	Recessed
Driver	Remote
Driver Input	220V-240V 50-60Hz
Driver Output	1000mA
Dimming type	ON/OFF / 1-10V
Packaging	450x400x470mm, 4pcs/CTN

Remark
Cut hole: □165x345



H(m)	E _{max}	D(m)
1m	18065lx	0.35m
2m	45161lx	0.71m
3m	2007lx	1.07m
4m	1129lx	1.43m
5m	722lx	1.79m

20° 3000K

H(m)	E _{max}	D(m)
1m	18333lx	0.35m
2m	4583lx	0.71m
3m	2037lx	1.06m
4m	1146lx	1.42m
5m	733lx	1.77m

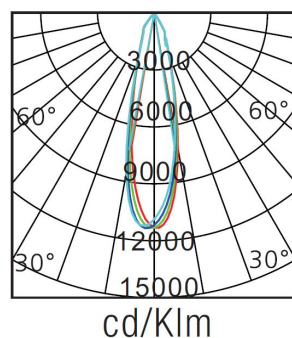
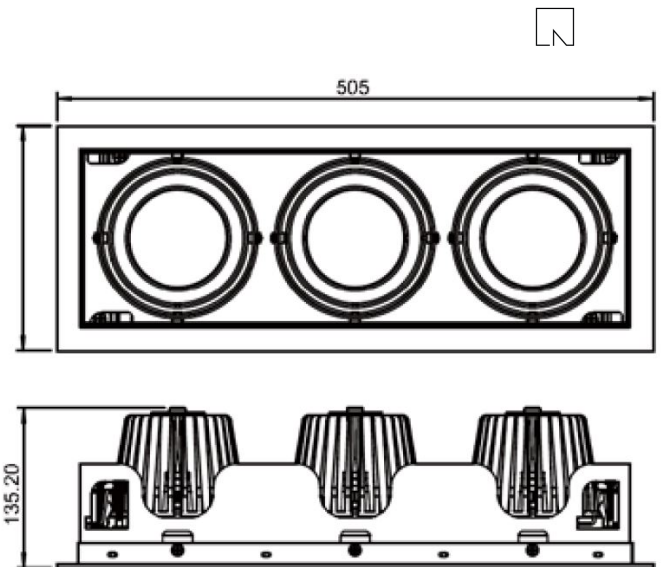
20° 4000K

Ceiling Recessed Spotlight (Multidirectionnal)

HERA M TRIO

Light Source	COB LED
Optic	Reflector
Wattage [W]	3x20W
Beam angle [°]	10°/20°/38°
CCT [K]	2700K / 3000K / 3500K / 4000K
CRI [Ra]	90+
Luminous flux [lm]	1800lm x3
MacAdam Step	3
IP rate	20
Finish	White/Black
Material	Aluminum
Tilting angle	0-30°
Pan movement	Multidirectional
Dimensions	H144mm x L 505mm x W 190mm
Weight	4.5KG
Installation	Recessed
Driver	Remote
Driver Input	220V-240V 50-60Hz
Driver Output	500mA x3
Dimming type	ON/OFF / 1-10V
Packaging	550x450x470mm, 4pcs/CTN

Remark
Cut hole: □165x480



H(m)	Emax	D(m)
1m	10310lx	0.29m
2m	2578lx	0.59m
3m	1146lx	0.89m
4m	644lx	1.19m
5m	412lx	1.48m

20° 3000K

H(m)	Emax	D(m)
1m	11299lx	0.30m
2m	2825lx	0.60m
3m	1255lx	0.90m
4m	706lx	1.20m
5m	452lx	1.50m

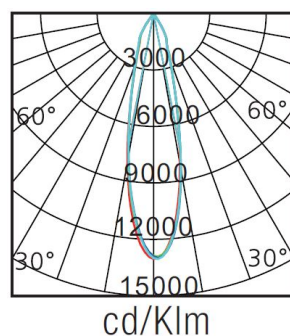
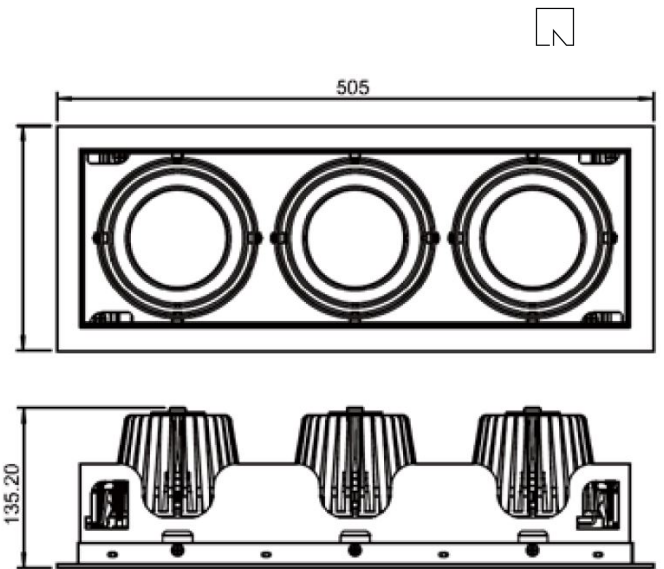
20° 4000K

Ceiling Recessed Spotlight (Multidirectionnal)

HERA L TRIO

Light Source	COB LED
Optic	Reflector
Wattage [W]	3x30W
Beam angle [°]	15°/20°/45°
CCT [K]	2700K / 3000K / 3500K / 4000K
CRI [Ra]	90+
Luminous flux [lm]	2600lm x 3
MacAdam Step	3
IP rate	20
Finish	White/Black
Material	Aluminium
Tilting angle	0-30°
Pan movement	Multidirectional
Dimensions	H144mm x L 505mm x W 190mm
Weight	4.5KG
Installation	Recessed
Driver	Remote
Driver Input	220V-240V 50-60Hz
Driver Output	700mA
Dimming type	ON/OFF / 1-10V
Packaging	550x450x470mm, 4pcs/CTN

Remark
Cut hole: □165x480



H(m)	E _{max}	D(m)
1m	125361lx	0.36m
2m	3134lx	0.72m
3m	1393lx	1.08m
4m	783lx	1.44m
5m	501lx	1.80m

20° 3000K

H(m)	E _{max}	D(m)
1m	13077lx	0.36m
2m	3269lx	0.72m
3m	1453lx	1.08m
4m	817lx	1.45m
5m	523lx	1.81m

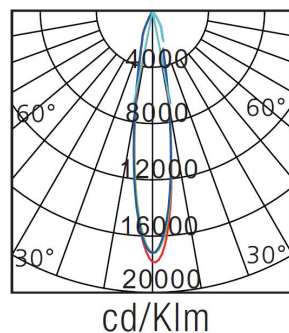
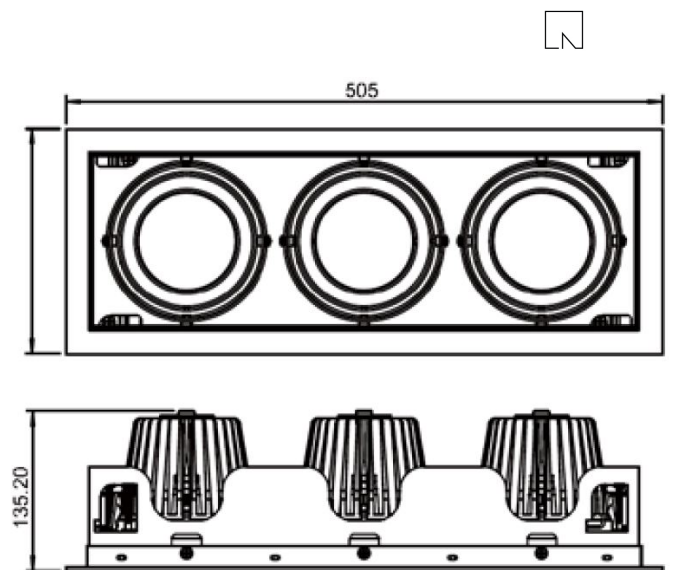
20° 4000K

Ceiling Recessed Spotlight (Multidirectionnal)

HERA XL TRIO

Light Source	COB LED
Optic	Reflector
Wattage [W]	3x40W
Beam angle [°]	15°/20°/45°
CCT [K]	2700K / 3000K / 3500K / 4000K
CRI [Ra]	90+
Luminous flux [lm]	3800lm
MacAdam Step	3
IP rate	20
Finish	White/Black
Material	Aluminium
Tilting angle	0-30°
Pan movement	Multidirectional
Dimensions	H144mm x L 505mm x W 190mm
Weight	4.5KG
Installation	Recessed
Driver	Remote
Driver Input	220V-240V 50-60Hz
Driver Output	1000mA
Dimming type	ON/OFF / 1-10V
Packaging	550x450x470mm, 4pcs/CTN

Remark
Cut hole: □165x480



H(m)	E _{max}	D(m)
1m	18065lx	0.35m
2m	45161lx	0.71m
3m	2007lx	1.07m
4m	1129lx	1.43m
5m	722lx	1.79m

20° 3000k

H(m)	E _{max}	D(m)
1m	18333lx	0.35m
2m	4583lx	0.71m
3m	2037lx	1.06m
4m	1146lx	1.42m
5m	733lx	1.77m

20° 4000k

ZEPLINN

Unit E, 10/F, Joint Venture Factory Bldg,
76 Hung To Road, Kwun Tong,
Kowloon, Hong Kong
(+852) 2525 7471
info@zeplinn.com

